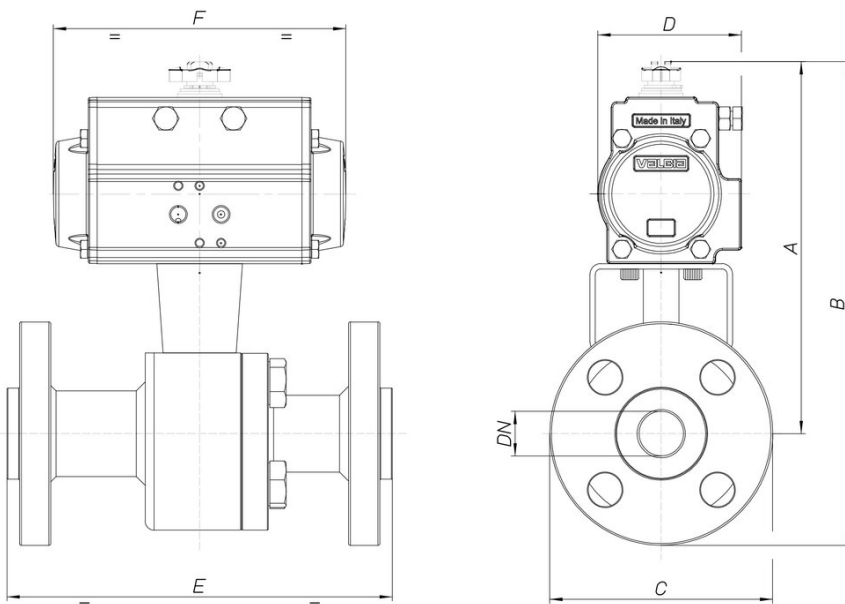


8P027200

"SPLIT BODY" full bore [Valpres Art. 760150], flanged ball valve, ANSI 600, carbon steel A350-LF2, Antistatic Device, ANSI B16.10, with actuator.

Technical specifications



MOD	PN	A	B	C	D	E	F	ACT.	RI
8P02720004	100	196	244	95	81	165	164	SR 63	3829
8P02720005	100	218	275	115	95	191	210	SR 75	3571
8P02720006	100	250	313	125	106	216	241	SR 85	3573
8P02720008	100	328	405	155	137	241	333	SR 115	4754
8P02720010	100	326	406	165	137	292	333	SR 115	3527
8P02720014	100	423	528	210	186	356	500	SR 160	3997
8P02720018	100	485	623	275	213	432	493	SR 180	4755