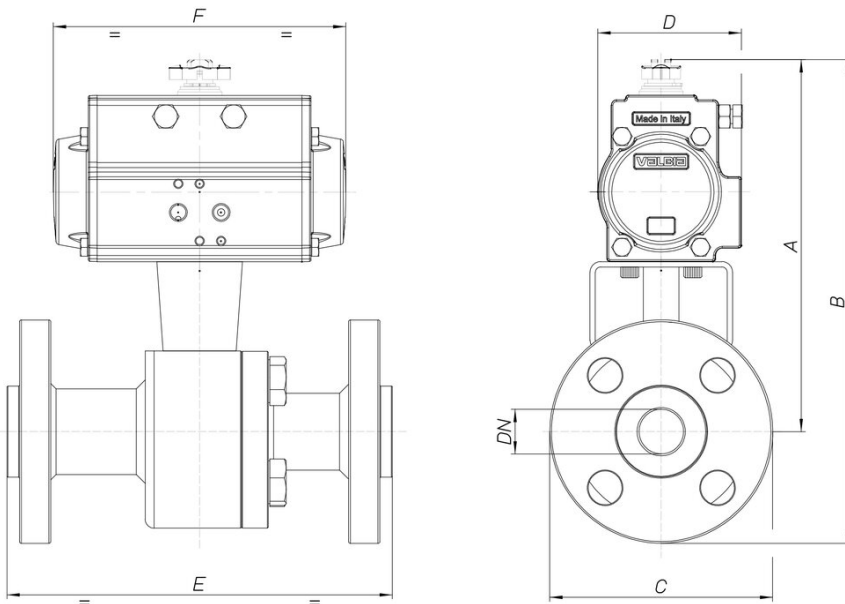


8P027300

"SPLIT BODY" full bore [Valpres Art. 760200], flanged ball valve, ANSI 600, steel AISI316, Antistatic Device, ANSI B16.10, with actuator.

Technical specifications



MOD	PN	A	B	C	D	E	F	ACT.	RI
8P02730004	100	185	232	95	71	165	141	DA 52	3519
8P02730005	100	188	246	115	71	191	141	DA 52	3519
8P02730006	100	218	281	125	81	216	164	DA 63	3563
8P02730008	100	280	358	155	106	241	241	DA 85	3526
8P02730010	100	279	361	165	106	292	241	DA 85	3522
8P02730014	100	377	482	210	148	356	372	DA 125	3565
8P02730018	100	429	567	275	164	432	438	DA 140	3997