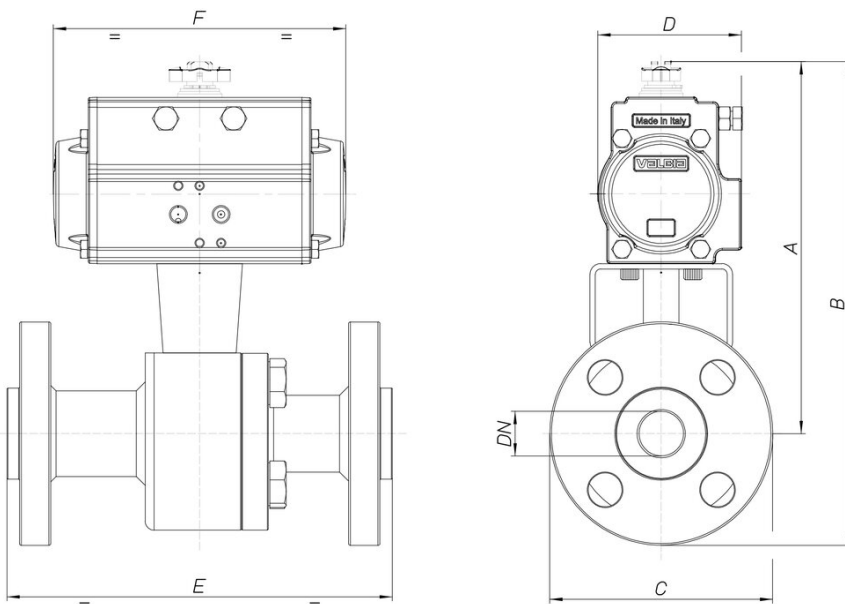


8P027400

"SPLIT BODY" full bore [Valpres Art. 760200], flanged ball valve, ANSI 600, steel AISI316, Antistatic Device, ANSI B16.10, with actuator.

Technical specifications



MOD	PN	A	B	C	D	E	F	ACT.	RI
8P02740004	100	196	244	95	81	165	164	SR 63	3829
8P02740005	100	218	275	115	95	191	210	SR 75	3571
8P02740006	100	250	313	125	106	216	241	SR 85	3573
8P02740008	100	328	405	155	137	241	333	SR 115	4754
8P02740010	100	326	409	165	137	292	333	SR 115	3527
8P02740014	100	423	528	210	186	356	500	SR 160	3997
8P02740018	100	485	623	275	213	432	493	SR 180	4755