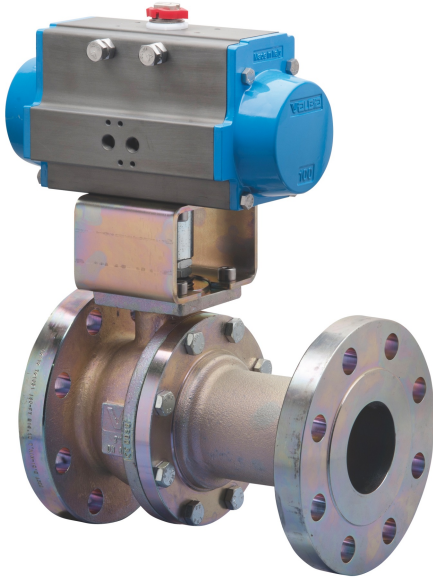
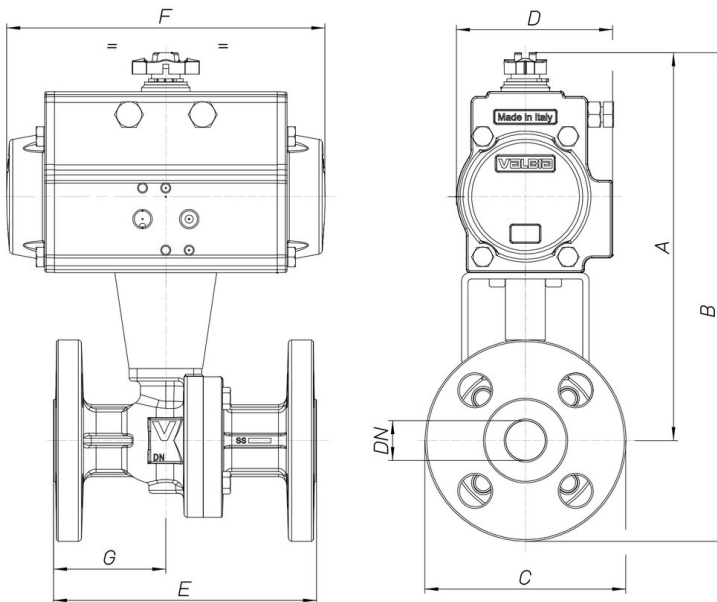


8P021500



Split Body type flanged ANSI 300 ball valve [Valpres art. 761031] carbon steel WCB, full bore, Fire Safe, Antistatic Device, face to face to ANSI B16.10, classified ATEX Ex II 2 G/D c T3.

Technical specifications



| MOD | PN | A | B | C | D | E | F | G | ACT. | RI |
|------------|-----------|----------|----------|----------|----------|----------|----------|----------|-------------|-----------|
| 8P02150004 | 50 | 185 | 233 | 95 | 71 | 140 | 141 | 62 | DA 52 | 3519 |
| 8P02150005 | 50 | 200 | 259 | 118 | 81 | 152 | 164 | 61 | DA 63 | 3829 |
| 8P02150006 | 50 | 218 | 281 | 125 | 81 | 165 | 164 | 71 | DA 63 | 3563 |
| 8P02150008 | 50 | 268 | 346 | 155 | 95 | 190 | 210 | 79 | DA 75 | 3526 |
| 8P02150010 | 50 | 289 | 372 | 165 | 106 | 216 | 241 | 86 | DA 85 | 3522 |
| 8P02150014 | 50 | 346 | 451 | 210 | 123 | 283 | 275 | 81 | DA 100 | 3552 |
| 8P02150018 | 50 | 395 | 523 | 255 | 137 | 305 | 333 | 89 | DA 115 | 3565 |
| 8P02150020 | 50 | 540 | 700 | 320 | 213 | 403 | 493 | 172 | DA 180 | 3555 |
| 8P02150021 | 50 | 608 | 798 | 381 | 217 | 502 | 579 | 251 | DA 200 | 3555 |