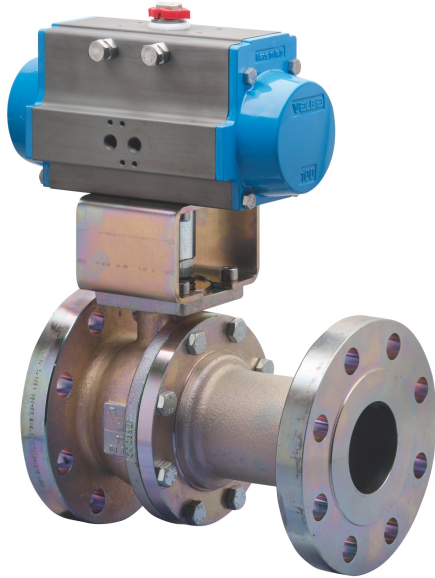
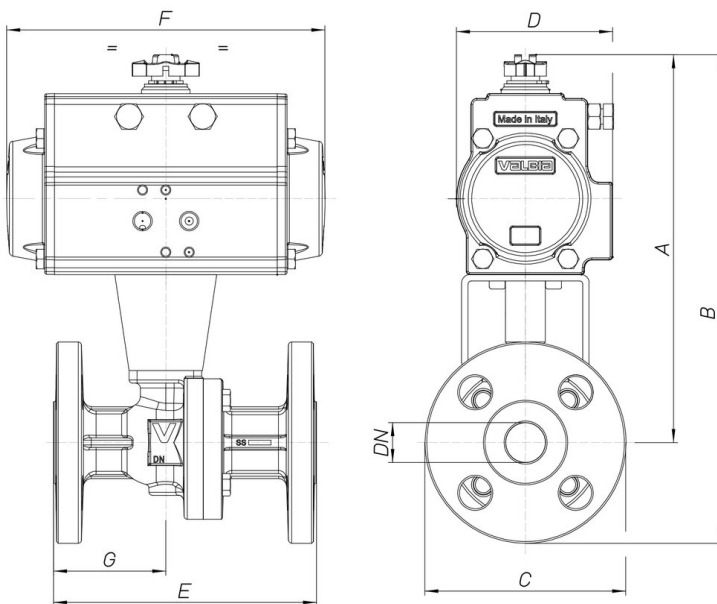


8P021600



Split Body type flanged ANSI 300 ball valve [Valpres art. 761031] carbon steel WCB, full bore, Fire Safe, Antistatic Device, face to face to ANSI B16.10, classified ATEX Ex II 2 G/D c T3.

Technical specifications



MOD	PN	A	B	C	D	E	F	G	ACT.	RI
8P02160004	50	196	244	95	81	140	164	62	SR 63	3829
8P02160005	50	232	291	118	106	152	241	61	SR 85	3571
8P02160006	50	250	313	125	106	165	241	71	SR 85	3573
8P02160008	50	295	373	155	123	190	275	79	SR 100	4117
8P02160010	50	336	419	165	137	216	333	86	SR 115	3527
8P02160014	50	393	498	210	148	283	372	81	SR 125	3528
8P02160018	50	453	581	255	186	305	500	89	SR 160	3997
8P02160020	50	726	886	320	290	403	672	172	SR 270	3753
8P02160021	50	769	381	381	290	502	672	251	SR 270	3573