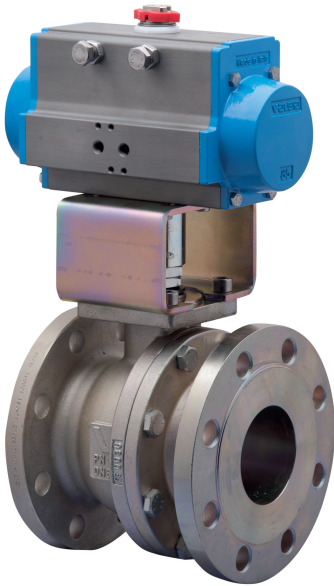
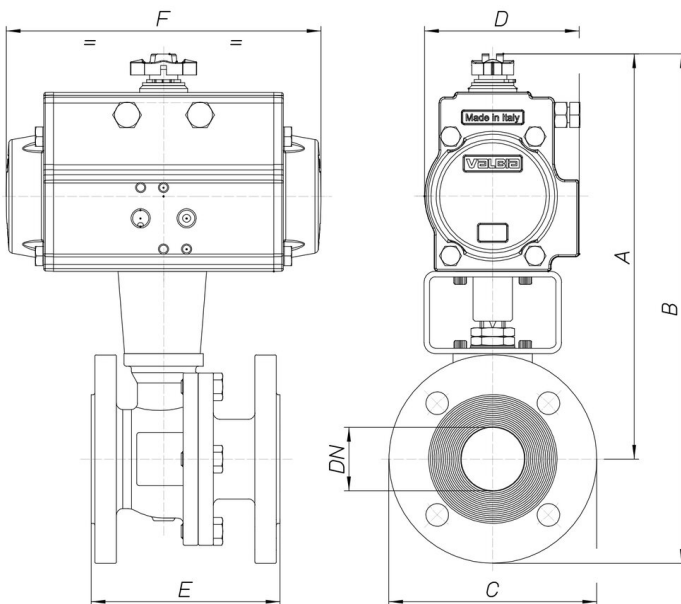


8P012000

Split Body [Valpres art. 760001] full bore flanged PN16 ball valve, carbon steel WCB, Fire Safe, Antistatic Device, face to face EN558 basic series 27, classified ATEX Ex II 2 G/D c T3.



Technical specifications



MOD	PN	A	B	C	D	E	F	ACT.	RI
8P01200004	40	184	232	95	71	115	141	SR52	3519
8P01200005	40	200	253	105	81	120	164	SR63	3829
8P01200006	40	219	277	115	81	125	164	SR63	3525
8P01200007	40	222	292	140	81	130	164	SR63	3525
8P01200008	40	282	357	150	106	140	241	SR85	3526
8P01200010	40	302	385	165	123	150	275	SR100	3522
8P01200012	16	346	439	185	137	170	333	SR115	3527
8P01200014	16	393	493	200	148	180	372	SR125	3528
8P01200018	16	407	517	220	148	190	372	SR125	3528
8P01200019	16	452	577	250	164	325	435	SR140	3997
8P01200020	16	508	651	285	186	350	500	SR160	3554
8P01200021	16	608	778	340	217	400	579	SR200	3555
8P01200077	16	947	1150	405	402	450	881	SR330	4578
8P01200078	16	978	1208	460	402	500	881	SR330	4578