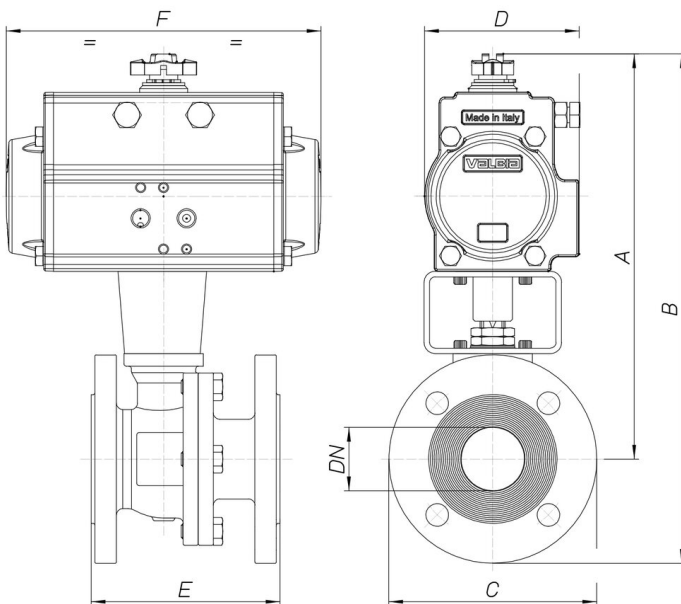




8P011700

Split Body [Valpres art. 760000] full bore flanged PN16 ball valve, stainless steel AISI 316 CF8M, Fire Safe, Antistatic Device, face to face EN558 basic series 27, classified ATEX Ex II 2 G/D c T3.

Technical specifications



| MOD | PN | A | B | C | D | E | F | ACT. | RI |
|------------|-----------|----------|----------|----------|----------|----------|----------|-------------|-----------|
| 8P01170004 | 40 | 148 | 195 | 95 | 45 | 115 | 110 | DA32 | 3518 |
| 8P01170005 | 40 | 189 | 242 | 105 | 71 | 120 | 141 | DA52 | 3519 |
| 8P01170006 | 40 | 207 | 265 | 115 | 71 | 125 | 141 | DA52 | 3520 |
| 8P01170007 | 40 | 210 | 280 | 140 | 71 | 130 | 141 | DA52 | 3520 |
| 8P01170008 | 40 | 250 | 325 | 150 | 81 | 140 | 164 | DA63 | 3521 |
| 8P01170010 | 40 | 275 | 357 | 165 | 95 | 150 | 210 | DA75 | 3522 |
| 8P01170012 | 16 | 299 | 392 | 185 | 106 | 170 | 241 | DA85 | 3522 |
| 8P01170014 | 16 | 333 | 433 | 200 | 106 | 180 | 241 | DA85 | 3523 |
| 8P01170018 | 16 | 360 | 470 | 220 | 123 | 190 | 275 | DA100 | 3552 |
| 8P01170019 | 16 | 382 | 507 | 250 | 123 | 325 | 275 | DA100 | 3552 |
| 8P01170020 | 16 | 462 | 604 | 285 | 148 | 350 | 372 | DA125 | 3553 |
| 8P01170021 | 16 | 551 | 721 | 340 | 186 | 400 | 500 | DA160 | 3554 |
| 8P01170077 | 16 | 747 | 950 | 405 | 249 | 450 | 690 | DA230 | 4577 |
| 8P01170078 | 16 | 778 | 1008 | 460 | 249 | 500 | 690 | DA230 | 4577 |