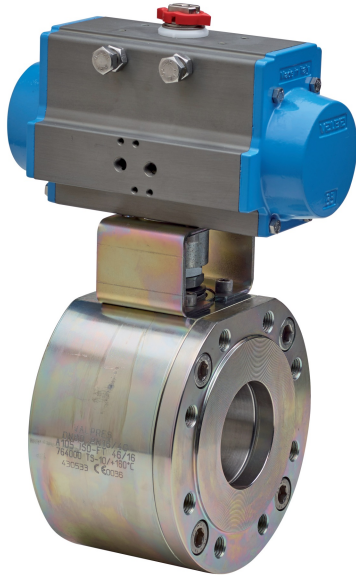
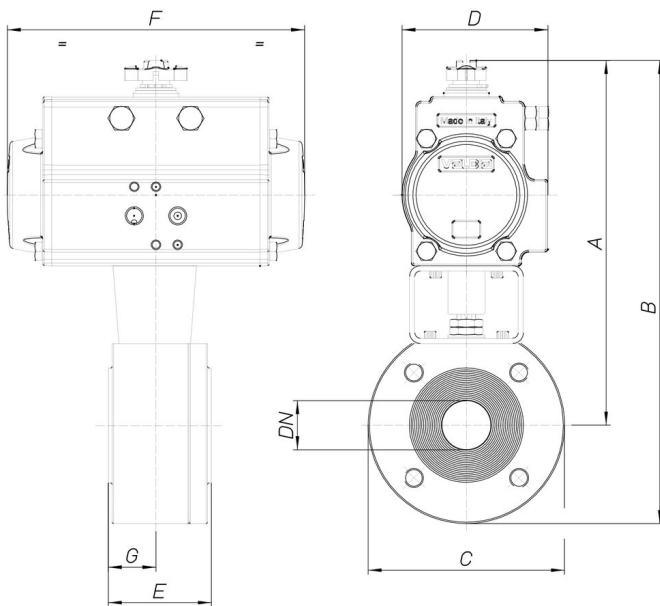


8P012700



"Wafer Split" [Valpres Art. 764000], full bore flanged ball valve, carbon steel ASTM A105, Fire Safe, Antistatic Device, with actuator.

Technical specifications



MOD	PN	A	B	C	D	E	F	G	ACT.	RI
8P01270004	40	148	193	90	45	53	110	22	DA 32	3518
8P01270005	40	190	238	95	71	53	141	22	DA 52	3519
8P01270006	40	199	252	110	71	57	141	24	DA 52	3542
8P01270007	40	205	270	130	71	65	141	30	DA 52	4271
8P01270008	40	235	305	140	81	79	164	37,5	DA 63	3521
8P01270010	40	262	337	150	95	84	210	42	DA 75	4117
8P01270012	16	289	379	180	106	103	241	50,5	DA 85	3545
8P01270014	16	295	390	190	106	122	241	61	DA 85	3546
8P01270018	16	341	451	220	123	155	275	77,5	DA 100	3552