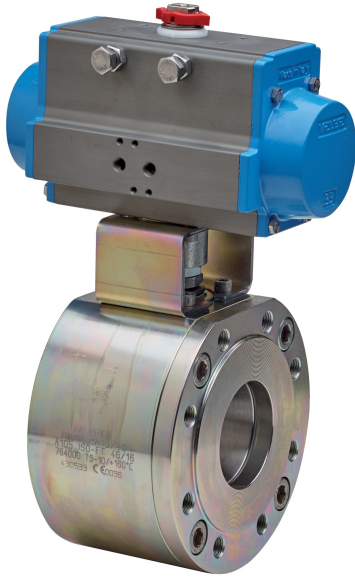
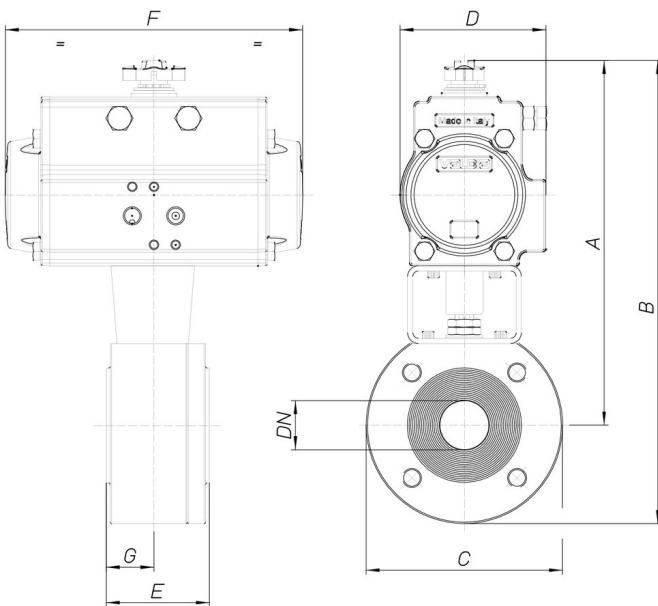


8P012800



"Wafer Split" [Valpres Art. 764000], full bore flanged ball valve, carbon steel ASTM A105, Fire Safe, Antistatic Device, with actuator.

Technical specifications



MOD	PN	A	B	C	D	E	F	G	ACT.	RI
8P01280004	40	184	229	90	71	53	141	22	SR 52	3519
8P01280005	40	201	249	95	81	53	164	22	SR 63	3829
8P01280006	40	210	265	110	81	57	164	24	SR 63	3547
8P01280007	40	216	281	130	81	65	164	30	SR 63	4272
8P01280008	40	267	337	140	106	79	241	37,5	SR 85	3526
8P01280010	40	289	364	150	123	84	275	42	SR 100	4117
8P01280012	16	336	426	180	137	103	333	50,5	SR 115	3550
8P01280014	16	355	450	190	148	122	372	61	SR 125	3551
8P01280018	16	387	497	220	148	155	372	77,5	SR 125	3528