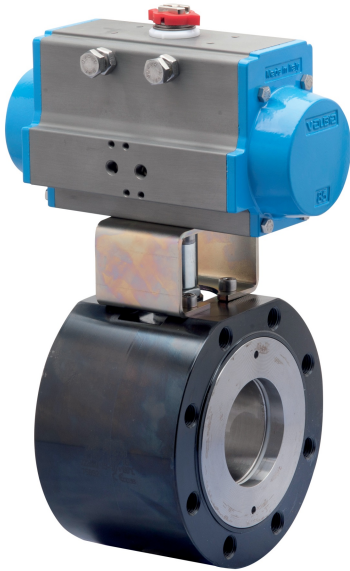
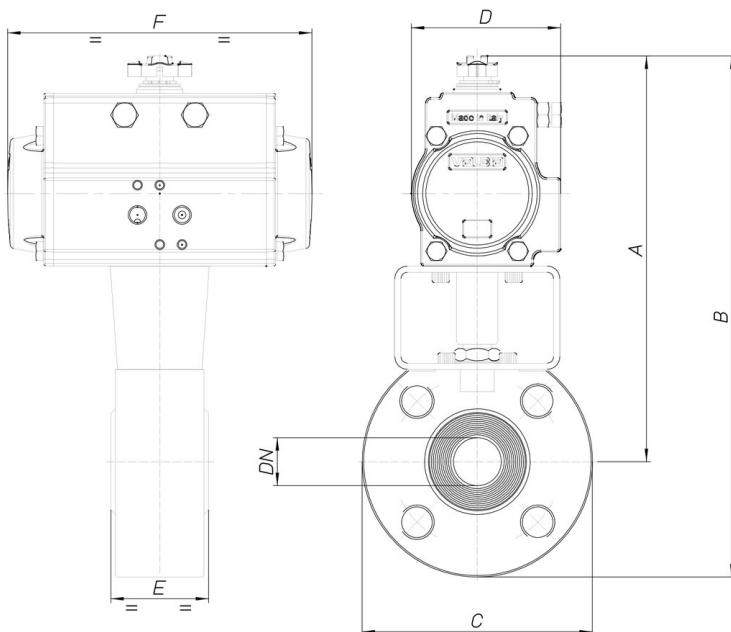


## 8P004100

2 way "WAFER" ball valve [Valpres Art. 720232],  
 flanged ANSI 300, carbon steel ASTM A105 with ball  
 and stem in stainless steel AISI 304, with actuator.



### Technical specifications



<b>MOD</b>	<b>PN</b>	<b>A</b>	<b>B</b>	<b>C</b>	<b>D</b>	<b>E</b>	<b>F</b>	<b>ACT.</b>	<b>RI</b>
8P00410004	50	187	235	95	71	35	141	DA 52	3805
8P00410005	50	206	266	120	81	40	164	DA 63	3806
8P00410006	50	212	272	120	81	46	164	DA 63	3807
8P00410007	50	212	277	130	81	54	164	DA 63	3808
8P00410008	50	249	324	150	95	64	210	DA 75	4244
8P00410010	50	277	359	165	106	82	241	DA 85	3809
8P00410012	50	325	420	190	123	103	275	DA 100	3810
8P00410014	50	368	473	210	137	122	333	DA 115	3817
8P00410018	50	398	525	254	148	152	372	DA 125	3811
8P00410020	50	513	673	320	213	232	493	DA 180	3195