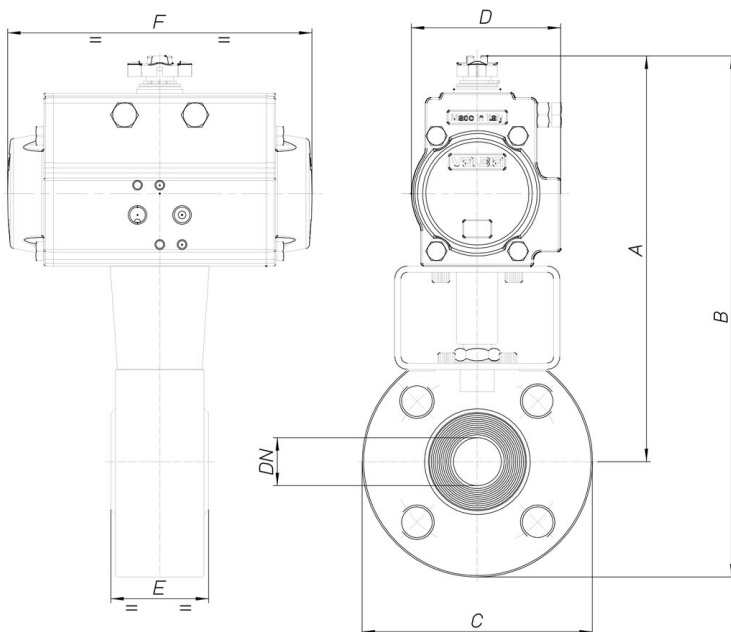


8P003900

2 way "WAFER" ball valve [Valpres Art. 720212],
flanged ANSI 300, stainless steel AISI 316-CF8M, with
actuator.



Technical specifications



MOD	PN	A	B	C	D	E	F	ACT.	RI
8P00390004	50	187	235	95	71	35	141	DA 52	3805
8P00390005	50	206	266	120	81	40	164	DA 63	3806
8P00390006	50	212	272	120	81	46	164	DA 63	3807
8P00390007	50	212	277	130	81	54	164	DA 63	3808
8P00390008	50	249	324	150	95	64	210	DA 75	4244
8P00390010	50	277	359	165	106	82	241	DA 85	3809
8P00390012	50	325	420	190	123	103	275	DA 100	3810
8P00390014	50	368	473	210	137	122	333	DA 115	3817
8P00390018	50	398	525	254	148	152	372	DA 125	3811
8P00390020	50	513	673	320	213	232	493	DA 180	3195