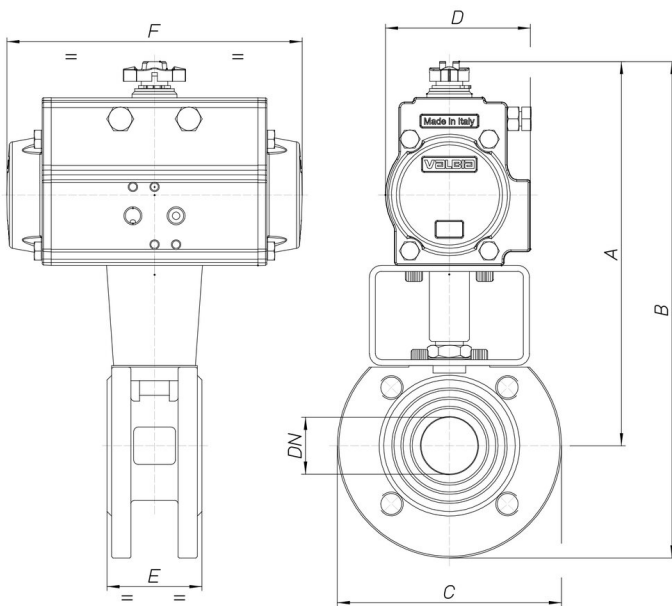


8P003100

2 way Wafer, ball valve [Valpres art. 720000] PN16
flanged, stainless steel AISI 304 CF8 full bore.



Technical specifications



MOD	PN	A	B	C	D	E	F	ACT.	RI
8P00310004	16	147	192	90	45	35	110	DA 32	3012
8P00310005	16	188	238	100	71	40	141	DA 52	3013
8P00310006	16	196	253	115	71	46	141	DA 52	3001
8P00310007	16	201	270	140	71	54	141	DA 52	3008
8P00310008	16	227	302	150	81	64	164	DA 63	3002
8P00310010	16	253	336	165	95	82	210	DA 75	3009
8P00310012	16	285	377	185	106	103	241	DA 85	3003
8P00310014	16	292	392	200	106	122	241	DA 85	3003
8P00310018	16	341	451	220	123	152	275	DA 100	3004
8P00310019	16	398	523	250	137	196	333	DA 115	3005
8P00310020	16	435	577	285	148	232	372	DA 125	3006