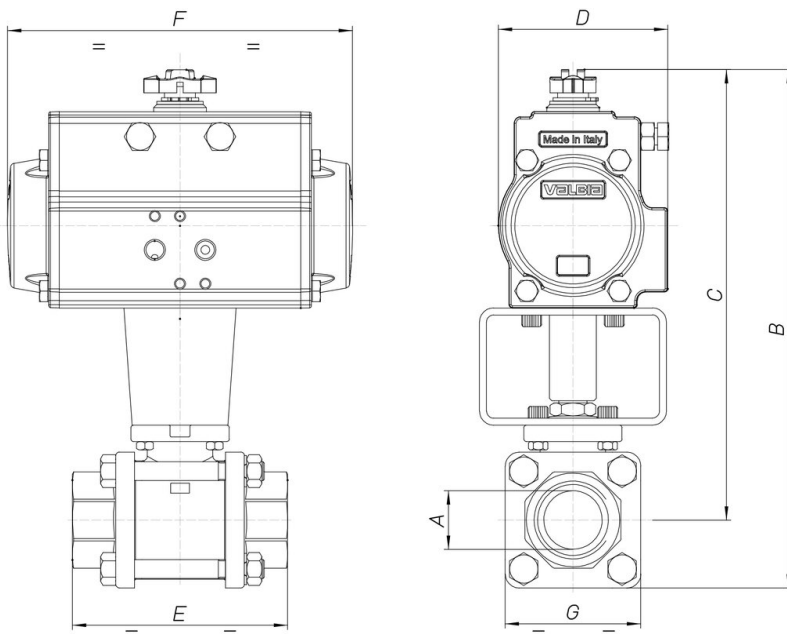


## 8P001900 F/F

2 way, three piece ball valve [Valpres Artt. 713000 F/F - 714000 SW - 715000 BW], carbon steel LCB, with ball and stem in stainless steel AISI 304, with actuator.



### Technical specifications



<b>MOD</b>	<b>PN</b>	<b>A</b>	<b>B</b>	<b>C</b>	<b>D</b>	<b>E</b>	<b>F</b>	<b>G</b>	<b>ACT.</b>	<b>RI</b>
8P00190002	64	1/4**	128	111	45	57	110	33	DA 32	3015
8P00190003	64	3/8"	128	111	45	57	110	33	DA 32	3015
8P00190004	64	1/2"	135	116	45	65	110	38	DA 32	3789
8P00190005	40	3/4"	212	188	71	76	141	47	DA 52	3781
8P00190006	40	1"	222	193	71	92	141	58	DA 52	3030
8P00190007	25	1"1/4	230	197	71	106	141	67	DA 52	3030
8P00190008	25	1"1/2	267	229	81	116	164	76	DA 63	3031
8P00190010	25	2"	298	253	95	136	210	90	DA 75	3034
8P00190012	16	2"1/2	348	281	106	153	241	134	DA 85	3003
8P00190014	16	3"	373	292	106	180	241	161	DA 85	3003
8P00190018	16	4"	436	341	123	217	275	190	DA 100	3004