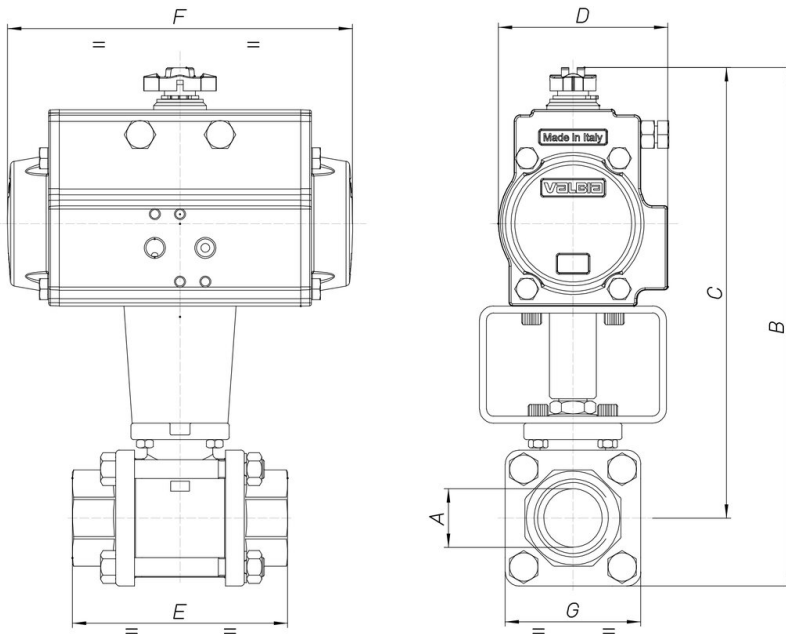


## 8P002600 SW

2 way, three piece ball valve [Valpres Artt. 713000 F/F - 714000 SW - 715000 BW], carbon steel LCB, with ball and stem in stainless steel AISI 304, with actuator.



### Technical specifications



<b>MOD</b>	<b>PN</b>	<b>A</b>	<b>B</b>	<b>C</b>	<b>D</b>	<b>E</b>	<b>F</b>	<b>G</b>	<b>ACT.</b>	<b>RI</b>
8P00260002	64	1/4**	164	148	71	57	141	33	SR 52	3021
8P00260003	64	3/8"	164	148	71	57	141	33	SR 52	3021
8P00260004	64	1/2"	171	152	71	65	141	38	SR 52	3790
8P00260005	40	3/4"	224	200	81	76	164	47	SR 63	3783
8P00260006	40	1"	234	205	81	92	164	58	SR 63	3033
8P00260007	25	1"1/4	242	209	81	106	164	67	SR 63	3033
8P00260008	25	1"1/2	299	261	106	116	241	76	SR 85	3034
8P00260010	25	2"	326	281	123	136	275	90	SR 100	3034
8P00260012	16	2"1/2	415	348	137	153	333	134	SR 115	3010
8P00260014	16	3"	452	371	148	180	372	161	SR 125	3010
8P00260018	16	4"	482	387	148	217	372	190	SR 125	3005