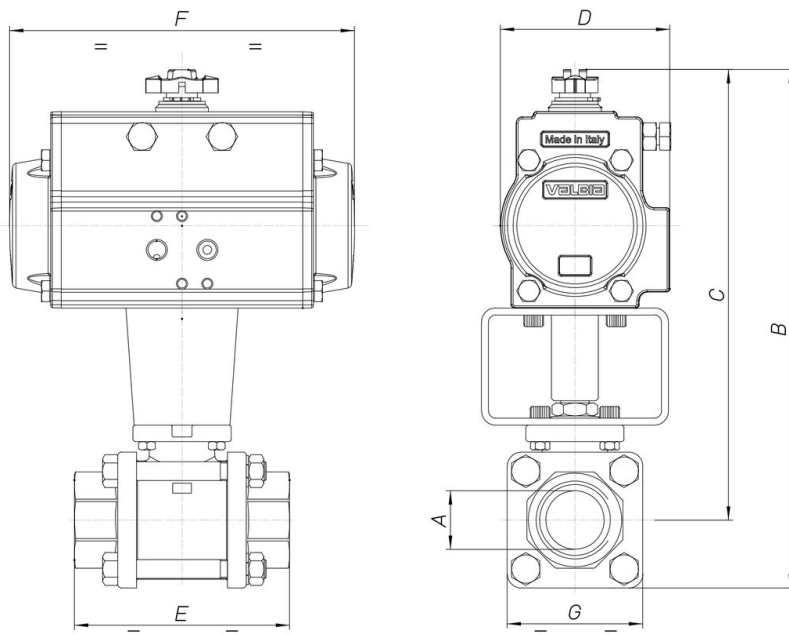


## 8P002700 BW



2 way, three piece ball valve [Valpres Artt. 713000 F/F - 714000 SW - 715000 BW], carbon steel LCB, with ball and stem in stainless steel AISI 304, with actuator.

### Technical specifications



| <b>MOD</b> | <b>PN</b> | <b>A</b> | <b>B</b> | <b>C</b> | <b>D</b> | <b>E</b> | <b>F</b> | <b>G</b> | <b>ACT.</b> | <b>RI</b> |
|------------|-----------|----------|----------|----------|----------|----------|----------|----------|-------------|-----------|
| 8P00270002 | 64        | 1/4**    | 164      | 148      | 71       | 57       | 141      | 33       | SR 52       | 3021      |
| 8P00270003 | 64        | 3/8"     | 164      | 148      | 71       | 57       | 141      | 33       | SR 52       | 3021      |
| 8P00270004 | 64        | 1/2"     | 171      | 152      | 71       | 65       | 141      | 38       | SR 52       | 3790      |
| 8P00270005 | 40        | 3/4"     | 224      | 200      | 81       | 76       | 164      | 47       | SR 63       | 3783      |
| 8P00270006 | 40        | 1"       | 234      | 205      | 81       | 92       | 164      | 58       | SR 63       | 3033      |
| 8P00270007 | 25        | 1"1/4    | 242      | 209      | 81       | 106      | 164      | 67       | SR 63       | 3033      |
| 8P00270008 | 25        | 1"1/2    | 299      | 261      | 106      | 116      | 241      | 76       | SR 85       | 3034      |
| 8P00270010 | 25        | 2"       | 326      | 281      | 123      | 136      | 275      | 90       | SR 100      | 3034      |
| 8P00270012 | 16        | 2"1/2    | 415      | 348      | 137      | 153      | 333      | 134      | SR 115      | 3010      |
| 8P00270014 | 16        | 3"       | 452      | 371      | 148      | 180      | 372      | 161      | SR 125      | 3010      |
| 8P00270018 | 16        | 4"       | 482      | 387      | 148      | 217      | 372      | 190      | SR 125      | 3005      |