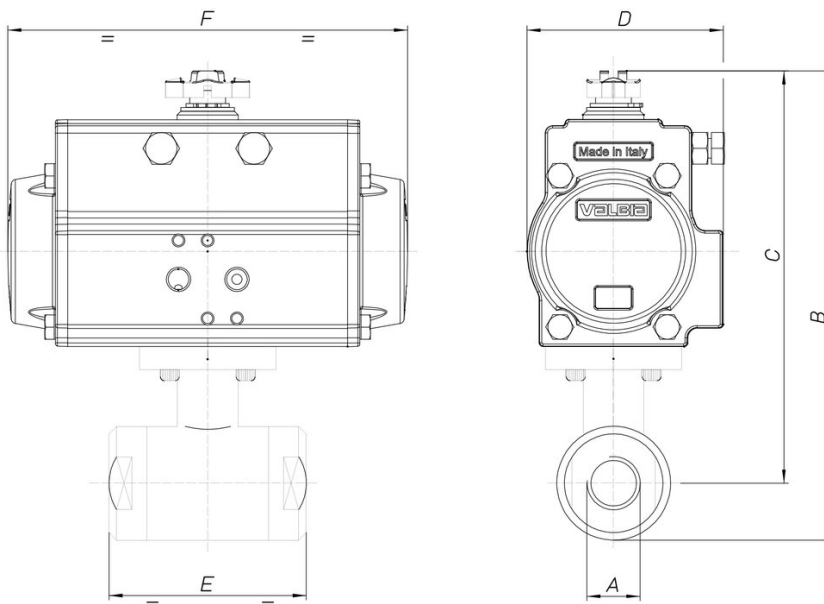


8P026300



2 way stainless steel valve AISI 316, polished, seals in PTFE, threaded F/F, with actuator.

Technical specifications



MOD	PN	A	B	C	D	E	F	ACT.
8P02630002	64	1/4"	156	141	71	52	141	DA 52
8P02630003	64	3/8"	156	141	71	52	141	DA 52
8P02630004	64	1/2"	161	143	71	62	141	DA 52
8P02630005	64	3/4"	168	147	71	72	141	DA 52
8P02630006	40	1"	191	165	81	82	164	DA 63
8P02630007	40	1"1/4	200	170	81	92	164	DA 63
8P02630008	40	1"1/2	227	190	81	104	164	DA 63
8P02630010	25	2"	243	198	81	116	164	DA 63
8P02630012	25	2"1/2	296	240	106	128	241	DA 85
8P02630014	25	3"	318	252	106	150	241	DA 85
8P02630018	25	4"	348	266	106	178	241	DA 85