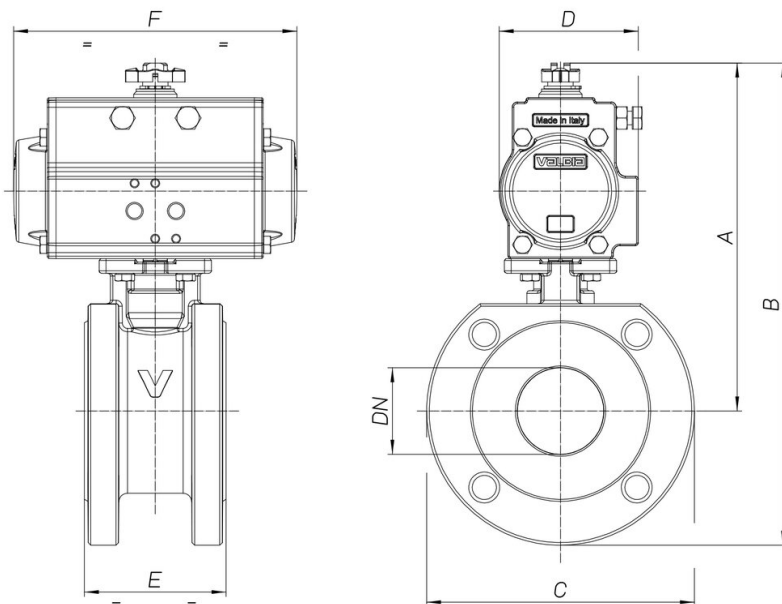


8P090300

2 way Wafer ball valve [Valpres art. 724000] PN16
flanged, carbon steel LCB, full bore, antistatic device,
ISO 5211 pad direct.



Technical specifications



| MOD | PN | A | B | C | D | E | F | ACT. | RI |
|------------|-----------|----------|----------|----------|----------|----------|----------|-------------|-----------|
| 8P09030006 | 16 | 161 | 216 | 110 | 71 | 48 | 141 | DA 52 | 5161 |
| 8P09030007 | 16 | 174 | 239 | 130 | 71 | 54 | 141 | DA 52 | 5161 |
| 8P09030008 | 16 | 182 | 252 | 140 | 71 | 64 | 141 | DA 52 | 5163 |
| 8P09030010 | 16 | 201 | 279 | 155 | 81 | 82 | 164 | DA 63 | 5165 |
| 8P09030012 | 16 | 226 | 316 | 180 | 81 | 103 | 164 | DA 63 | 5166 |
| 8P09030014 | 16 | 251 | 346 | 190 | 95 | 122 | 210 | DA 75 | 5259 |
| 8P09030018 | 16 | 280 | 390 | 220 | 106 | 152 | 241 | DA 85 | 5166 |