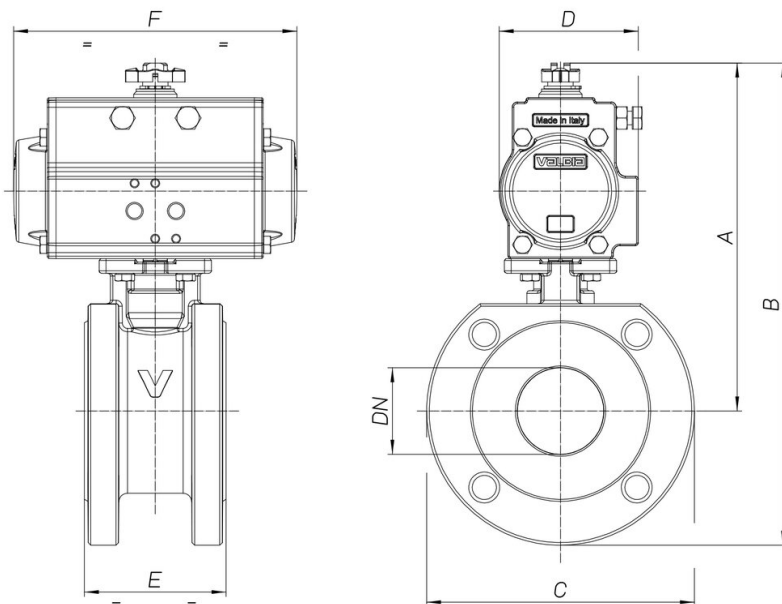


8P090400

2 way Wafer ball valve [Valpres art. 724000] PN16
flanged, carbon steel LCB, full bore, antistatic device,
ISO 5211 pad direct.



Technical specifications



MOD	PN	A	B	C	D	E	F	ACT.	RI
8P09040006	16	172	227	110	81	48	164	SR 63	5162
8P09040007	16	185	250	130	81	54	164	SR 63	5162
8P09040008	16	211	281	140	95	64	210	SR 75	5164
8P09040010	16	219	297	155	95	82	210	SR 75	5164
8P09040012	16	255	345	180	106	103	241	SR 85	5259
8P09040014	16	278	373	190	123	122	275	SR 100	5167
8P09040018	16	326	437	220	137	152	333	SR 115	5168