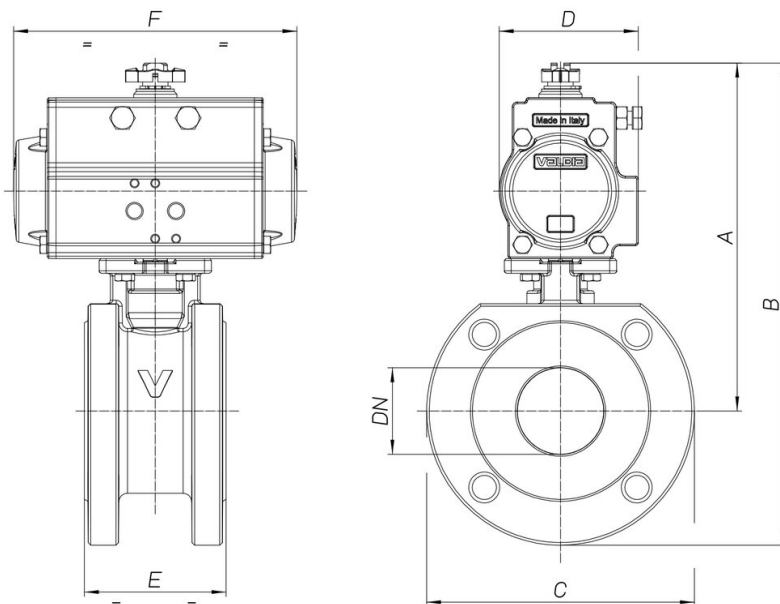


8P090500

2 way Wafer ball valve [Valpres art. 723100] flanged ANSI 150, stainless steel CF8M, full bore, antistatic device, ISO 5211 pad direct.



Technical specifications



MOD	PN	A	B	C	D	E	F	ACT.	RI
8P09050006	20	161	216	110	71	48	141	DA 52	5161
8P09050007	20	174	239	130	71	54	141	DA 52	5161
8P09050008	20	182	252	140	71	64	141	DA 52	5163
8P09050010	20	201	279	155	81	82	164	DA 63	5165
8P09050012	20	226	316	180	81	103	164	DA 63	5259
8P09050014	20	251	346	190	95	122	210	DA 75	5166
8P09050018	20	280	390	220	106	152	241	DA 85	5166