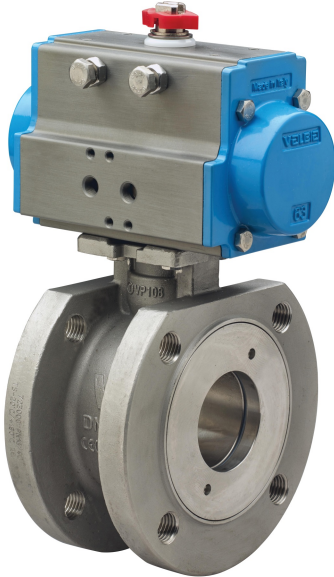
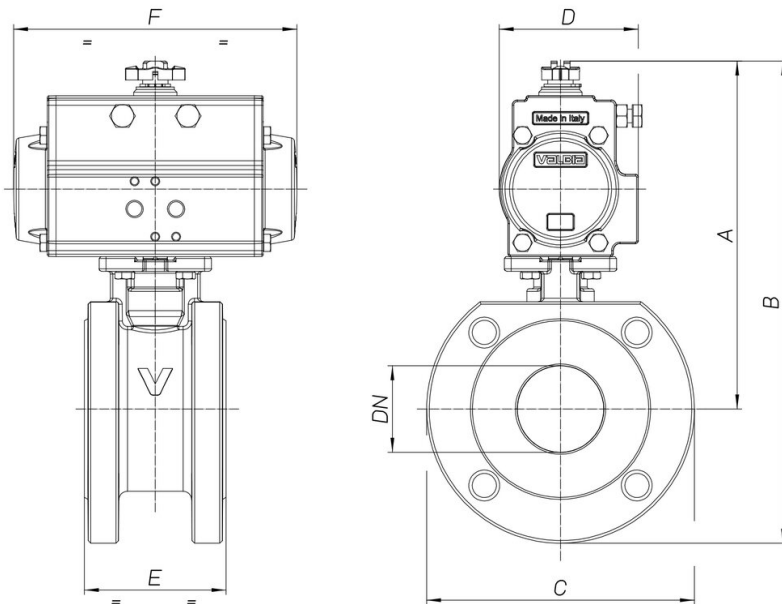


8P090600



2 way Wafer ball valve [Valpres art. 723100] flanged ANSI 150, stainless steel CF8M, full bore, antistatic device, ISO 5211 pad direct.

Technical specifications



MOD	PN	A	B	C	D	E	F	ACT.	RI
8P09060006	20	172	227	110	81	48	164	SR 63	5162
8P09060007	20	185	250	130	81	54	164	SR 63	5162
8P09060008	20	211	281	140	95	64	210	SR 75	5164
8P09060010	20	219	297	155	95	82	210	SR 75	5164
8P09060012	20	255	345	180	106	103	241	SR 85	5259
8P09060014	20	278	373	190	123	122	275	SR 100	5167
8P09060018	20	326	437	220	137	152	333	SR 115	5168