

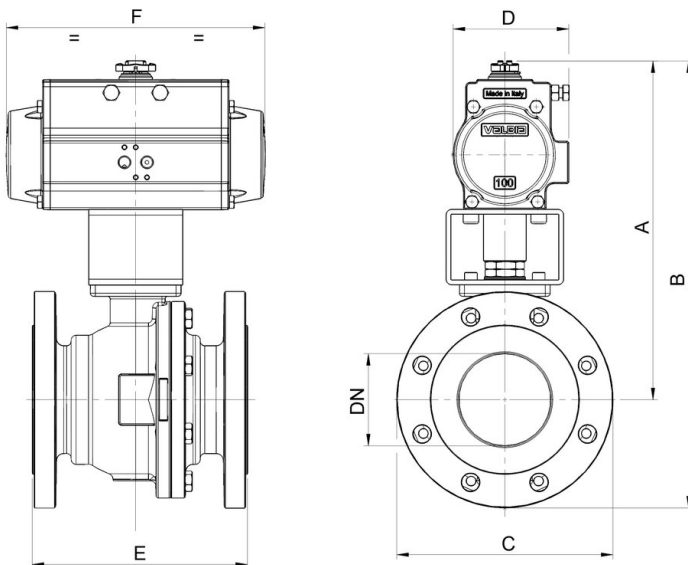


8P110400

Split Body [Valpres art.760V40] full bore flanged PN40 ball valve, stainless steel AISI A351-CF8M, V-Pack stem seal, EN 558 basic series 27 face to face to dimension, Fire Safe, Antistatic Device.

NEW

Technical specifications



MOD	PN	A	B	ØC	D	E	F	ACT.	RI
8P11040012	40	358	451	185	148	170	372	SR 125	3527
8P11040014	40	393	493	200	148	180	372	SR 125	3528
8P11040018	40	453	571	235	186	190	500	SR 160	3997
8P11040020	40	652	802	300	249	350	690	SR 230	3753
8P11040021	40	697	885	375	249	400	690	SR 230	3753