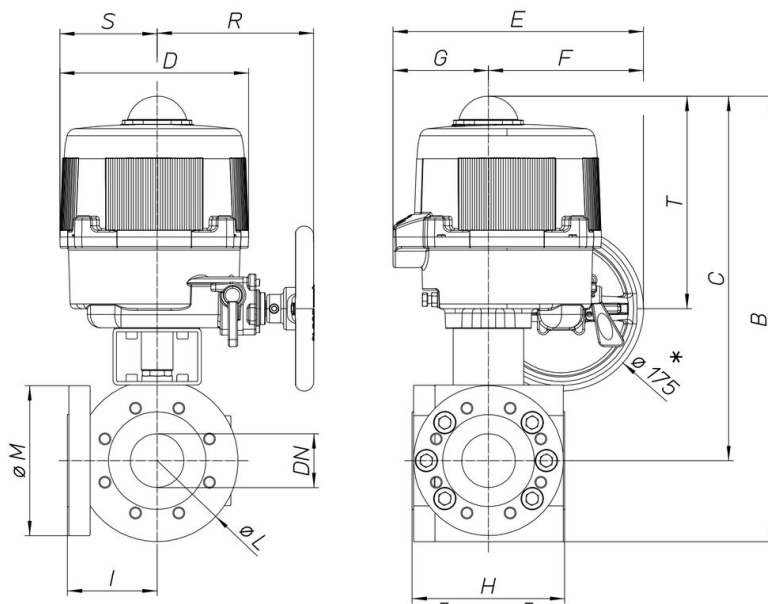


## 8M164

3 way ball valve [Valpres artt. 776600 (T) - 776601 (L)],  
T or L port with 4 seats, PN16 flanged, carbon steel  
ASTM A105, full bore, Antistatic Device.



### Technical specifications



| MOD        | PN | B   | C   | D   | E   | F   | G   | H   | I   | ØL  | ØM  | R   | S   | T   | ACT.    | RI   |
|------------|----|-----|-----|-----|-----|-----|-----|-----|-----|-----|-----|-----|-----|-----|---------|------|
| 8M16400105 | 16 | 343 | 293 | 161 | 187 | 63  | 124 | 108 | 40  | 100 | -   | -   | -   | -   | VB 030M | 3520 |
| 8M16400205 | 16 | 343 | 293 | 161 | 187 | 63  | 124 | 108 | 40  | 100 | -   | -   | -   | -   | VB 030M | 3520 |
| 8M16400405 | 16 | 343 | 293 | 161 | 187 | 63  | 124 | 108 | 40  | 100 | -   | -   | -   | -   | VB 030M | 3520 |
| 8M16400106 | 16 | 363 | 308 | 161 | 187 | 63  | 124 | 115 | 42  | 109 | -   | -   | -   | -   | VB 030M | 3520 |
| 8M16400206 | 16 | 363 | 308 | 161 | 187 | 63  | 124 | 115 | 42  | 109 | -   | -   | -   | -   | VB 030M | 3520 |
| 8M16400406 | 16 | 363 | 308 | 161 | 187 | 63  | 124 | 115 | 42  | 109 | -   | -   | -   | -   | VB 030M | 3520 |
| 8M16400107 | 16 | 407 | 342 | 176 | 197 | 63  | 134 | 140 | 53  | 133 | -   | -   | -   | -   | VB 060M | 4416 |
| 8M16400207 | 16 | 407 | 342 | 176 | 197 | 63  | 134 | 140 | 53  | 133 | -   | -   | -   | -   | VB 060M | 4416 |
| 8M16400407 | 16 | 407 | 342 | 176 | 197 | 63  | 134 | 140 | 53  | 133 | -   | -   | -   | -   | VB 060M | 4416 |
| 8M16400108 | 16 | 424 | 349 | 176 | 197 | 63  | 134 | 150 | 57  | 150 | -   | -   | -   | -   | VB 060M | 4039 |
| 8M16400208 | 16 | 424 | 349 | 176 | 197 | 63  | 134 | 150 | 57  | 150 | -   | -   | -   | -   | VB 060M | 4039 |
| 8M16400408 | 16 | 424 | 349 | 176 | 197 | 63  | 134 | 150 | 57  | 150 | -   | -   | -   | -   | VB 060M | 4039 |
| 8M16400110 | 16 | 468 | 383 | 200 | 266 | 165 | 101 | 167 | 62  | 168 | -   | 167 | 103 | 225 | VB 110M | 3522 |
| 8M16400210 | 16 | 468 | 383 | 200 | 266 | 165 | 101 | 167 | 62  | 168 | -   | 167 | 103 | 225 | VB 110M | 3522 |
| 8M16400410 | 16 | 468 | 383 | 200 | 266 | 165 | 101 | 167 | 62  | 168 | -   | 167 | 103 | 225 | VB 110M | 3522 |
| 8M16400112 | 16 | 499 | 394 | 200 | 266 | 165 | 101 | 185 | 85  | 208 | -   | 167 | 103 | 225 | VB 190M | 4411 |
| 8M16400212 | 16 | 499 | 394 | 200 | 266 | 165 | 101 | 185 | 85  | 208 | -   | 167 | 103 | 225 | VB 190M | 4411 |
| 8M16400412 | 16 | 499 | 394 | 200 | 266 | 165 | 101 | 185 | 85  | 208 | -   | 167 | 103 | 225 | VB 190M | 4411 |
| 8M16400114 | 16 | 550 | 435 | 212 | 279 | 184 | 95  | 216 | 127 | 229 | 212 | 166 | 109 | 226 | VB 270M | 4412 |
| 8M16400214 | 16 | 550 | 435 | 212 | 279 | 184 | 95  | 216 | 127 | 229 | 212 | 166 | 109 | 226 | VB 270M | 4412 |
| 8M16400414 | 16 | 550 | 435 | 212 | 279 | 184 | 95  | 216 | 127 | 229 | 212 | 166 | 109 | 226 | VB 270M | 4412 |
| 8M16400118 | 16 | 570 | 431 | 212 | 279 | 184 | 95  | 244 | 150 | 278 | 239 | 166 | 109 | 226 | VB 270M | 4412 |
| 8M16400218 | 16 | 570 | 431 | 212 | 279 | 184 | 95  | 244 | 150 | 278 | 239 | 166 | 109 | 226 | VB 270M | 4412 |
| 8M16400418 | 16 | 570 | 431 | 212 | 279 | 184 | 95  | 244 | 150 | 278 | 239 | 166 | 109 | 226 | VB 270M | 4412 |