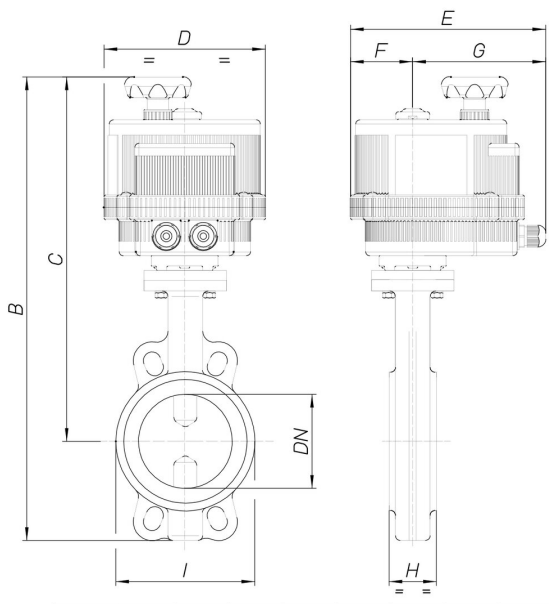


8E034



Butterfly valve Wafer type PN16 (from DN50 to DN300), PN10 (from DN350 to DN600), body in cast iron GG25+ epoxy painting, disc GGG40 nickeled, EPDM [Valpres art. 600104] or NBR [Valpres art. 600117] seat from DN50 to DN300, EPDM seat art. 905276 from DN350 to DN600.

Technical specifications



| MOD | PN | B | C | D | E | F | G | H | I | ACT. | RI |
|------------|----|-----|-----|-----|-----|----|-----|----|-----|--------|------|
| 8E03400110 | 16 | 413 | 341 | 157 | 191 | 61 | 130 | 43 | 100 | VB 030 | 3836 |
| 8E03400210 | 16 | 413 | 341 | 157 | 191 | 61 | 130 | 43 | 100 | VB 030 | 3836 |
| 8E03400410 | 16 | 413 | 341 | 157 | 191 | 61 | 130 | 43 | 100 | VB 030 | 3836 |
| 8E03400112 | 16 | 432 | 354 | 157 | 191 | 61 | 130 | 46 | 120 | VB 030 | 3836 |
| 8E03400212 | 16 | 432 | 354 | 157 | 191 | 61 | 130 | 46 | 120 | VB 030 | 3836 |
| 8E03400412 | 16 | 432 | 354 | 157 | 191 | 61 | 130 | 46 | 120 | VB 030 | 3836 |
| 8E03400114 | 16 | 472 | 383 | 185 | 215 | 68 | 147 | 46 | 127 | VB 060 | 3883 |
| 8E03400214 | 16 | 472 | 383 | 185 | 215 | 68 | 147 | 46 | 127 | VB 060 | 3883 |
| 8E03400414 | 16 | 472 | 383 | 185 | 215 | 68 | 147 | 46 | 127 | VB 060 | 3883 |
| 8E03400118 | 16 | 500 | 398 | 185 | 215 | 68 | 147 | 52 | 161 | VB 060 | 3884 |
| 8E03400218 | 16 | 500 | 398 | 185 | 215 | 68 | 147 | 52 | 161 | VB 060 | 3884 |
| 8E03400418 | 16 | 500 | 398 | 185 | 215 | 68 | 147 | 52 | 161 | VB 060 | 3884 |
| 8E03400119 | 16 | 551 | 428 | 211 | 237 | 84 | 153 | 56 | 190 | VB 110 | 3840 |
| 8E03400219 | 16 | 551 | 428 | 211 | 237 | 84 | 153 | 56 | 190 | VB 110 | 3840 |
| 8E03400419 | 16 | 551 | 428 | 211 | 237 | 84 | 153 | 56 | 190 | VB 110 | 3840 |
| 8E03400120 | 16 | 579 | 441 | 211 | 237 | 84 | 153 | 56 | 215 | VB 190 | 3847 |
| 8E03400220 | 16 | 579 | 441 | 211 | 237 | 84 | 153 | 56 | 215 | VB 190 | 3847 |
| 8E03400420 | 16 | 579 | 441 | 211 | 237 | 84 | 153 | 56 | 215 | VB 190 | 3847 |
| 8E03400121 | 16 | 644 | 476 | 222 | 247 | 77 | 170 | 60 | 268 | VB 270 | 3965 |
| 8E03400221 | 16 | 644 | 476 | 222 | 247 | 77 | 170 | 60 | 268 | VB 270 | 3965 |
| 8E03400421 | 16 | 644 | 476 | 222 | 247 | 77 | 170 | 60 | 268 | VB 270 | 3965 |
| 8E03400177 | 16 | 719 | 512 | 222 | 247 | 77 | 170 | 68 | 325 | VB 350 | 3865 |
| 8E03400277 | 16 | 719 | 512 | 222 | 247 | 77 | 170 | 68 | 325 | VB 350 | 3865 |
| 8E03400477 | 16 | 719 | 512 | 222 | 247 | 77 | 170 | 68 | 325 | VB 350 | 3865 |