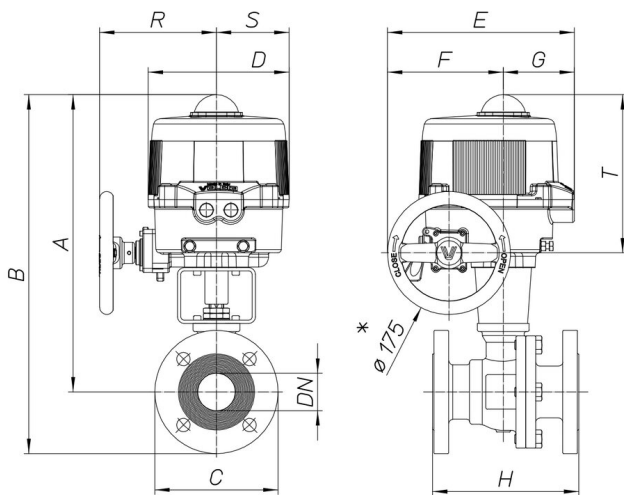


8M056



Split body type flanged ANSI 150 ball valve [Valpres art. 762000] carbon steel WCB, full bore, Fire Safe, Antistatic Device, face to face ANSI B16.10, classified ATEX Ex II 2 G/D c T3.

Technical specifications



- * mod. VB030M-VB060M \varnothing 10mm senza volantino
- * mod. VB030M-VB060M \varnothing 10mm without handwheel

MOD	PN	ACT.	KIT
8M05600104	-	-	-
8M05600204	-	-	-
8M05600404	-	-	-
8M05600105	-	-	-
8M05600205	-	-	-
8M05600405	-	-	-
8M05600106	20	VB030M	RI3520
8M05600206	20	VB030M	RI3520
8M05600406	20	VB030M	RI3520
8M05600108	20	VB060M	RI3521
8M05600208	20	VB060M	RI3521
8M05600408	20	VB060M	RI3521
8M05600110	20	VB060M	RI4039
8M05600210	20	VB060M	RI4039
8M05600410	20	VB060M	RI4039
8M05600114	20	VB110M	RI3523
8M05600214	20	VB110M	RI3523
8M05600414	20	VB110M	RI3523
8M05600118	20	VB190M	RI3552
8M05600218	20	VB190M	RI3552
8M05600418	20	VB190M	RI3552
8M05600120	20	VB350M	RI3553
8M05600220	20	VB350M	RI3553
8M05600420	20	VB350M	RI3553
8M05600121	20	-	-
8M05600221	20	-	-
8M05600421	20	-	-
8M05600177	10	-	-
8M05600277	10	-	-
8M05600477	10	-	-
8M05600178	10	-	-
8M05600278	10	-	-
8M05600478	10	-	-