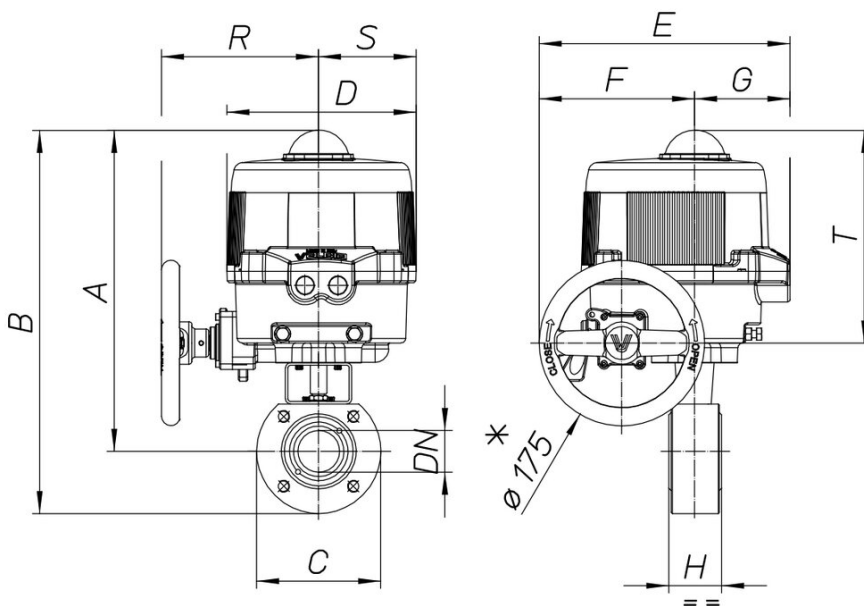




8M058

2 way Wafer ball valve [Valpres art. 720232] full bore, flanged ANSI 300, carbon steel ASTM A105 with ball and stem in stainless steel AISI 304.

Technical specifications



MOD	PN	A	B	C	D	E	F	G	H	R	S	T	ACT.	KIT
8M05800104	50	285	332	95	161	187	63	124	35	-	-	-	VB030M	RI3805
8M05800204	50	285	332	95	161	187	63	124	35	-	-	-	VB030M	RI3805
8M05800404	50	285	332	95	161	187	63	124	35	-	-	-	VB030M	RI3805
8M05800105	50	291	351	120	161	187	63	124	40	-	-	-	VB030M	RI4041
8M05800205	50	291	351	120	161	187	63	124	40	-	-	-	VB030M	RI4041
8M05800405	50	291	351	120	161	187	63	124	40	-	-	-	VB030M	RI4041
8M05800106	50	297	357	120	161	187	63	124	46	-	-	-	VB030M	RI4042
8M05800206	50	297	357	120	161	187	63	124	46	-	-	-	VB030M	RI4042
8M05800406	50	297	357	120	161	187	63	124	46	-	-	-	VB030M	RI4042
8M05800107	50	297	362	130	161	187	63	124	54	-	-	-	VB030M	RI4043
8M05800207	50	297	362	130	161	187	63	124	54	-	-	-	VB030M	RI4043
8M05800407	50	297	362	130	161	187	63	124	54	-	-	-	VB030M	RI4043
8M05800108	50	338	413	150	176	197	63	134	64	-	-	-	VB060M	RI4245
8M05800208	50	338	413	150	176	197	63	134	64	-	-	-	VB060M	RI4245
8M05800408	50	338	413	150	176	197	63	134	64	-	-	-	VB060M	RI4245
8M05800110	50	351	434	165	176	197	63	134	82	-	-	-	VB060M	RI4044
8M05800210	50	351	434	165	176	197	63	134	82	-	-	-	VB060M	RI4044
8M05800410	50	351	434	165	176	197	63	134	82	-	-	-	VB060M	RI4044
8M05800112	50	412	507	190	200	266	165	101	106	167	103	225	VB110M	RI3810
8M05800212	50	412	507	190	200	266	165	101	106	167	103	225	VB110M	RI3810
8M05800412	50	412	507	190	200	266	165	101	106	167	103	225	VB110M	RI3810
8M05800114	50	420	525	210	200	266	165	101	122	167	103	225	VB190M	RI3810
8M05800214	50	420	525	210	200	266	165	101	122	167	103	225	VB190M	RI3810
8M05800414	50	420	525	210	200	266	165	101	122	167	103	225	VB190M	RI3810
8M05800118	50	441	568	254	212	279	184	95	152	166	109	226	VB270M	RI3811
8M05800218	50	441	568	254	212	279	184	95	152	166	109	226	VB270M	RI3811
8M05800418	50	441	568	254	212	279	184	95	152	166	109	226	VB270M	RI3811