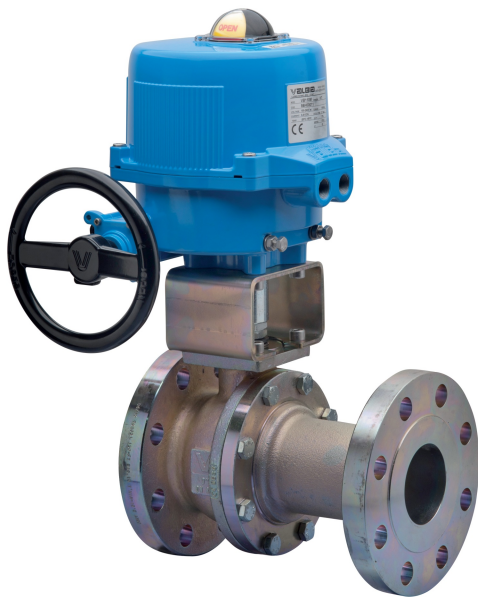
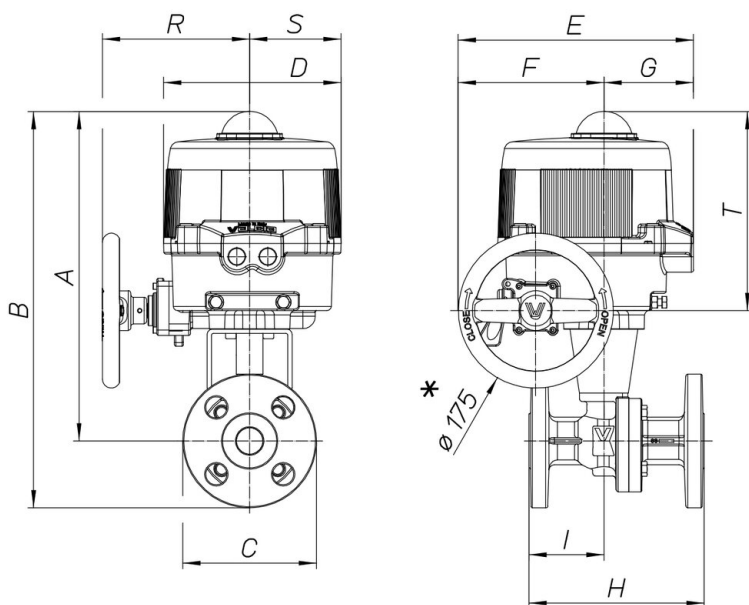


8M112



Split Body type flanged ANSI 300 ball valve [Valpres art. 761031] carbon steel WCB, full bore, Fire Safe, Antistatic Device, face to face to ANSI B16.10, classified ATEX Ex II 2 G/D c T3.

Technical specifications



MOD	PN	A	B	C	D	E	F	G	H	I	R	S	T	ACT.	KIT
8M11200104	50	282	330	95	161	187	63	124	140	62	-	-	-	VB030M	RI3519
8M11200204	50	282	330	95	161	187	63	124	140	62	-	-	-	VB030M	RI3519
8M11200404	50	282	330	95	161	187	63	124	140	62	-	-	-	VB030M	RI3519
8M11200105	50	287	345	115	161	187	63	124	152	61	-	-	-	VB030M	RI3519
8M11200205	50	287	345	115	161	187	63	124	152	61	-	-	-	VB030M	RI3519
8M11200405	50	287	345	115	161	187	63	124	152	61	-	-	-	VB030M	RI3519
8M11200106	50	304	367	125	161	187	63	124	165	71	-	-	-	VB030M	RI4116
8M11200206	50	304	367	125	161	187	63	124	165	71	-	-	-	VB030M	RI4116
8M11200406	50	304	367	125	161	187	63	124	165	71	-	-	-	VB030M	RI4116
8M11200108	50	356	434	155	176	197	63	134	190	79	-	-	-	VB060M	RI4617
8M11200208	50	356	434	155	176	197	63	134	190	79	-	-	-	VB060M	RI4617
8M11200408	50	356	434	155	176	197	63	134	190	79	-	-	-	VB060M	RI4617
8M11200110	50	364	446	165	176	197	63	134	216	86	-	-	-	VB060M	RI4039
8M11200210	50	364	446	165	176	197	63	134	216	86	-	-	-	VB060M	RI4039
8M11200410	50	364	446	165	176	197	63	134	216	86	-	-	-	VB060M	RI4039
8M11200114	50	435	540	210	200	266	165	111	283	81	167	103	225	VB190M	RI3552
8M11200214	50	435	540	210	200	266	165	111	283	81	167	103	225	VB190M	RI3552
8M11200414	50	435	540	210	200	266	165	111	283	81	167	103	225	VB190M	RI3552
8M11200118	50	450	577	255	212	279	184	95	305	89	166	109	226	VB270M	RI3565
8M11200218	50	450	577	255	212	279	184	95	305	89	166	109	226	VB270M	RI3565
8M11200418	50	450	577	255	212	279	184	95	305	89	166	109	226	VB270M	RI3565