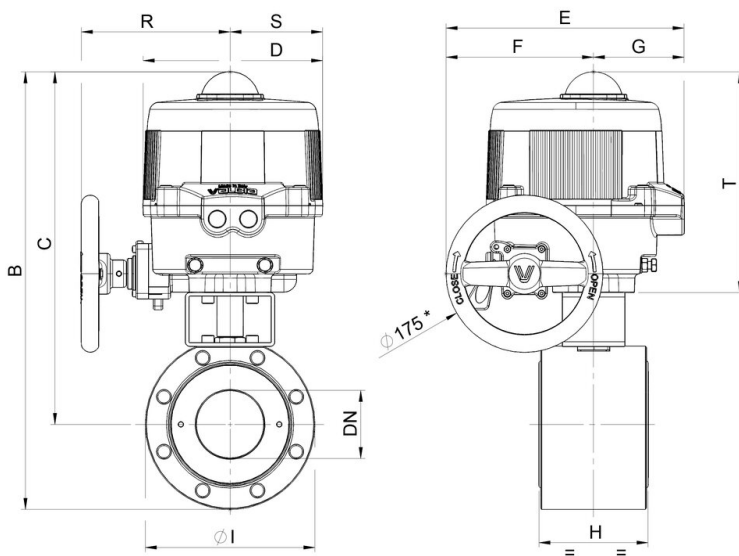




8M261

2 way Wafer ball valve [Valpres art.722V00 DN15 to DN100 (DN65 and DN100 only PN16) art.722V08 DN65 and DN100 only PN40] flanged PN16/40, carbon steel A105, full bore, EN 558 basic series 100, metric thread, V-Pack stem seal, Fire Safe, Antistatic Device. With electric actuator series 86.

Technical specifications



* mod.VB030M-VB060M Q10mm SENZA VOLANTINO - without handwheel

MOD	PN	B	C	D	E	F	G	H	ØI	R	S	ACT.	KIT
8M26100106	16-40	377	322	161	187	63	124	44	110	-	-	VB 030M	RI3542
8M26100206	16-40	377	322	161	187	63	124	44	110	-	-	VB 030M	RI3542
8M26100406	16-40	377	322	161	187	63	124	44	110	-	-	VB 030M	RI3542
8M26100107	16-40	411	346	176	197	63	134	52	130	-	-	VB 030M	RI3542
8M26100207	16-40	411	346	176	197	63	134	52	130	-	-	VB 030M	RI3542
8M26100407	16-40	411	346	176	197	63	134	52	130	-	-	VB 030M	RI3542
8M26100108	16-40	443	373	176	197	63	134	64	140	-	-	VB 060M	RI3521
8M26100208	16-40	443	373	176	197	63	134	64	140	-	-	VB 060M	RI3521
8M26100408	16-40	443	373	176	197	63	134	64	140	-	-	VB 060M	RI3521
8M26100110	16-40	457	382	176	197	63	134	83	150	-	-	VB 060M	RI3521
8M26100210	16-40	457	382	176	197	63	134	83	150	-	-	VB 060M	RI3521
8M26100410	16-40	457	382	176	197	63	134	83	150	-	-	VB 060M	RI3521
8M26100112	16	517	427	191	266	165	101	105	180	167	185	VB 110M	RI3522
8M26100212	16	517	427	191	266	165	101	105	180	167	185	VB 110M	RI3522
8M26100412	16	517	427	191	266	165	101	105	180	167	185	VB 110M	RI3522
8M26100114	40	517	427	191	266	165	101	105	180	167	185	VB 110M	RI5345
8M26100214	40	517	427	191	266	165	101	105	180	167	185	VB 110M	RI5345
8M26100414	40	517	427	191	266	165	101	105	180	167	185	VB 110M	RI5345
8M26100118	16-40	533	438	191	266	165	101	121	190	167	185	VB 190M	RI3552
8M26100218	16-40	533	438	191	266	165	101	121	190	167	185	VB 190M	RI3552
8M26100418	16-40	533	438	191	266	165	101	121	190	167	185	VB 190M	RI3552