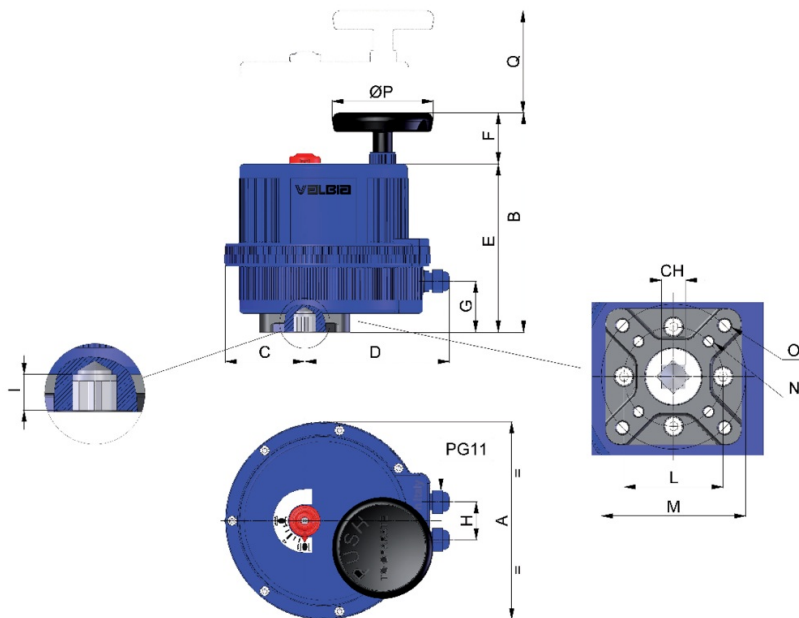


## MOD. VB030



### Especificaciones técnicas



MOD	FORATURA DRILLING ISO 5211	CH	A	B	C	D	E	F	G	H	I	L	M	N	O	ØP	Q
MOD. VB030	F03-F05*	11	157	188	60,5	129,5	146	42	33	36	12	36	50	M5X12	M6X14	65	100

# Aplicaciones



FOOD &  
BEVERAGE



HVAC



PAINTS &  
SOLVENTS



WATER  
TREATMENT



CHEMICAL



OEM



POWER &  
RENEWABLE  
ENERGY