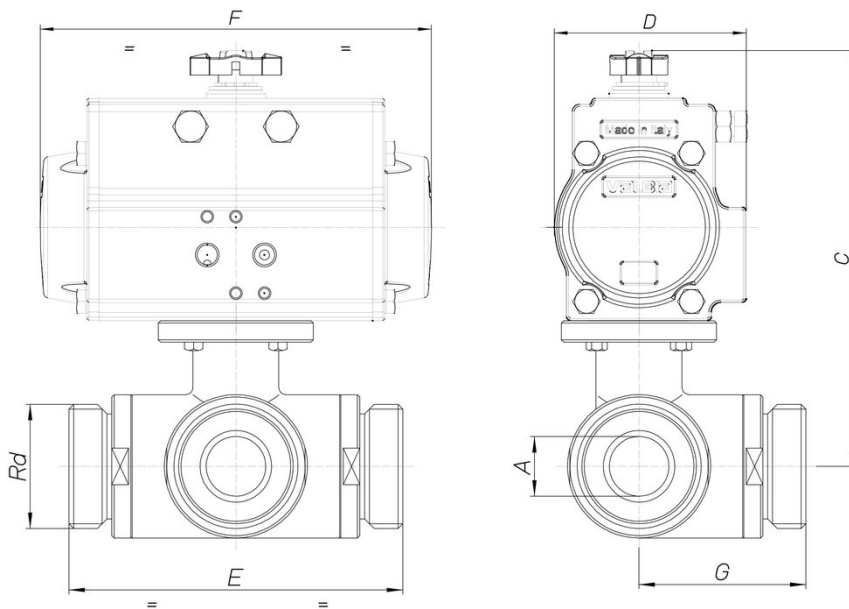


8P022000

Válvula de bola producida de lingote, brillante, 3 vías "T" o "L", 4 juntas en PTFE virgen, acero inoxidable AISI 316, ataque DIN 11851 H/H/H, con actuador.



Especificaciones técnicas



| MOD | PN | A | RD | C | D | E | F | G | ACT. |
|------------|-----------|----------|-----------|----------|----------|----------|----------|----------|-------------|
| 8P02200003 | 40 | 10 | 28x1/8" | 210 | 81 | 108 | 164 | 54 | SR 63 |
| 8P02200004 | 40 | 15 | 34x1/8" | 212 | 81 | 118 | 164 | 59 | SR 63 |
| 8P02200005 | 40 | 20 | 44x1/6" | 202 | 106 | 130 | 241 | 65 | SR 85 |
| 8P02200006 | 40 | 25 | 52x1/6" | 206 | 106 | 140 | 241 | 70 | SR 85 |
| 8P02200007 | 40 | 32 | 58x1/6" | 227 | 106 | 156 | 241 | 78 | SR 85 |
| 8P02200008 | 40 | 40 | 65x1/6" | 247 | 123 | 172 | 275 | 86 | SR 100 |
| 8P02200010 | 25 | 50 | 78x1/6" | 250 | 123 | 182 | 275 | 91 | SR 100 |
| 8P02200012 | 25 | 65 | 95x1/6" | 294 | 137 | 196 | 333 | 98 | SR 115 |
| 8P02200014 | 16 | 80 | 110x1/4" | 321 | 148 | 256 | 372 | 128 | SR 125 |
| 8P02200018 | 16 | 100 | 130x1/4" | 358 | 164 | 286 | 435 | 143 | SR 140 |