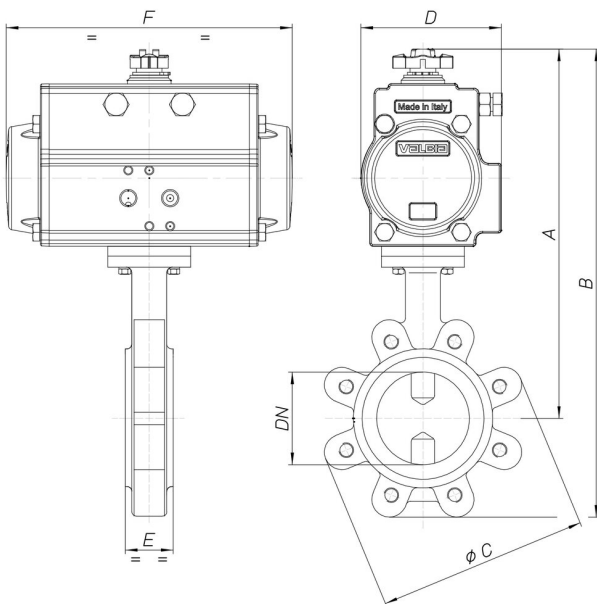


8P020900

Butterfly valve Lug type PN16, body in cast iron GGG40+epoxy painting, disc AISI 316, VITON seat, max operating temperature 150°C.



Especificaciones técnicas



MOD	PN	A	B	ØC	D	E	F	ACT.	RI
8P02090010	16	255	326	165	71	43	141	DA 52	3836
8P02090012	16	267	345	185	71	46	141	DA 52	3836
8P02090014	16	281	370	200	81	46	164	DA 63	3838
8P02090018	16	315	417	220	95	52	210	DA 75	3839
8P02090019	16	341	464	250	106	56	241	DA 85	3840
8P02090020	16	355	493	285	106	56	241	DA 85	3841
8P02090021	16	435	602	340	137	60	333	DA 115	3965
8P02090077	16	482	689	405	148	68	372	DA 125	3865
8P02090078	16	541	784	460	164	78	435	DA 140	3868