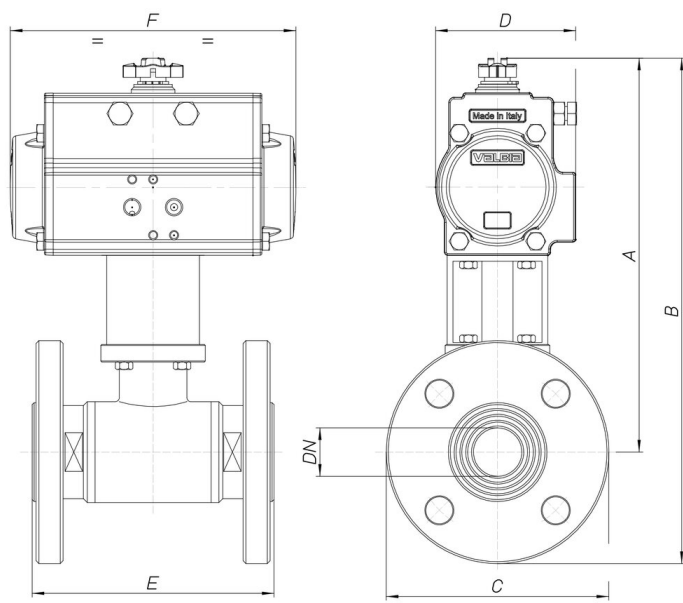


## 8P005300

Válvula de bola producida de lingote, brillante, acero inoxidable AISI 316, paso total, con actuador.

### Especificaciones técnicas



| <b>MOD</b> | <b>PN</b> | <b>A</b> | <b>B</b> | <b>C</b> | <b>D</b> | <b>E</b> | <b>F</b> | <b>ACT.</b> |
|------------|-----------|----------|----------|----------|----------|----------|----------|-------------|
| 8P00530003 | 40        | 181      | 226      | 90       | 71       | 110      | 141      | SR 52       |
| 8P00530004 | 40        | 205      | 253      | 95       | 81       | 115      | 164      | SR 63       |
| 8P00530005 | 40        | 208      | 261      | 105      | 81       | 120      | 164      | SR 63       |
| 8P00530006 | 40        | 247      | 305      | 115      | 106      | 125      | 241      | SR 85       |
| 8P00530007 | 40        | 252      | 322      | 140      | 106      | 130      | 241      | SR 85       |
| 8P00530008 | 25        | 221      | 296      | 150      | 106      | 140      | 241      | SR 85       |
| 8P00530010 | 25        | 229      | 312      | 165      | 106      | 150      | 241      | SR 85       |
| 8P00530012 | 16        | 253      | 346      | 185      | 123      | 170      | 275      | SR 100      |
| 8P00530014 | 16        | 311      | 411      | 200      | 148      | 180      | 372      | SR 125      |
| 8P00530018 | 16        | 325      | 435      | 220      | 148      | 190      | 372      | SR 125      |