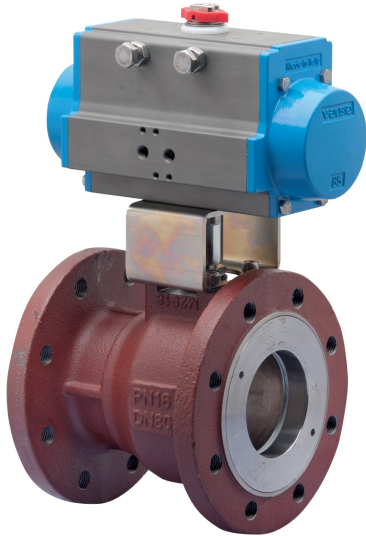
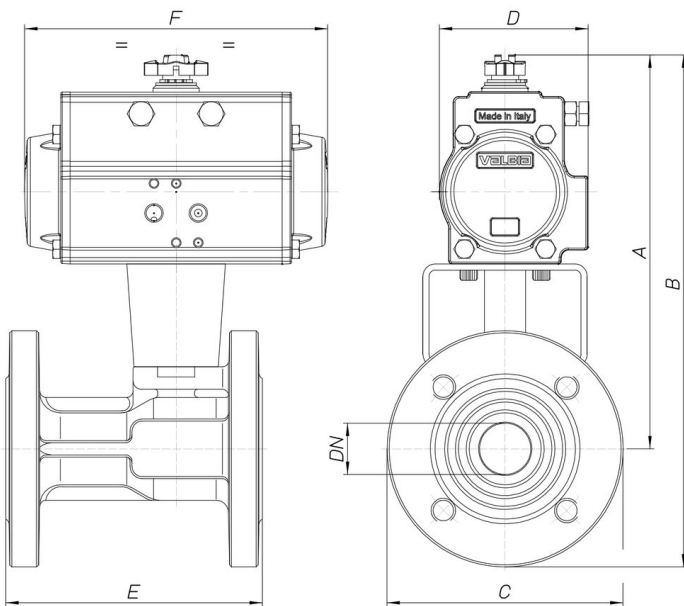


## 8P004500



2 way flanged PN16 ball valve [Valpres artt. 730008 from DN25 to DN65 - 730003 from DN80 to DN200] cast iron, with ball and stem in stainless steel AISI 304, full bore, face to face to EN558 basic series 14 (DN200 basic series 27).

### Especificaciones técnicas



<b>MOD</b>	<b>PN</b>	<b>A</b>	<b>B</b>	<b>C</b>	<b>D</b>	<b>E</b>	<b>F</b>	<b>ACT.</b>	<b>RI</b>
8P00450006	16	191	249	115	71	125	141	DA 52	3001
8P00450007	16	198	268	140	71	130	141	DA 52	3001
8P00450008	16	227	302	150	81	140	164	DA 63	3002
8P00450010	16	252	335	165	95	150	210	DA 75	3009
8P00450012	16	280	373	185	106	170	241	DA 85	3003
8P00450014	16	291	391	200	106	180	241	DA 85	3003
8P00450018	16	343	453	220	123	190	275	DA 100	3004
8P00450019	16	400	525	250	137	200	333	DA 115	3005
8P00450020	16	435	578	285	148	210	372	DA 125	3006
8P00450021	16	523	725	340	186	400	500	DA 160	3039