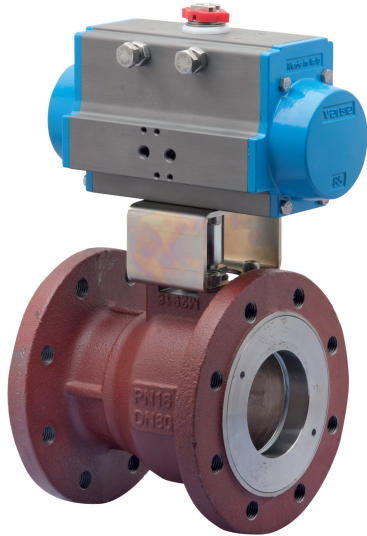
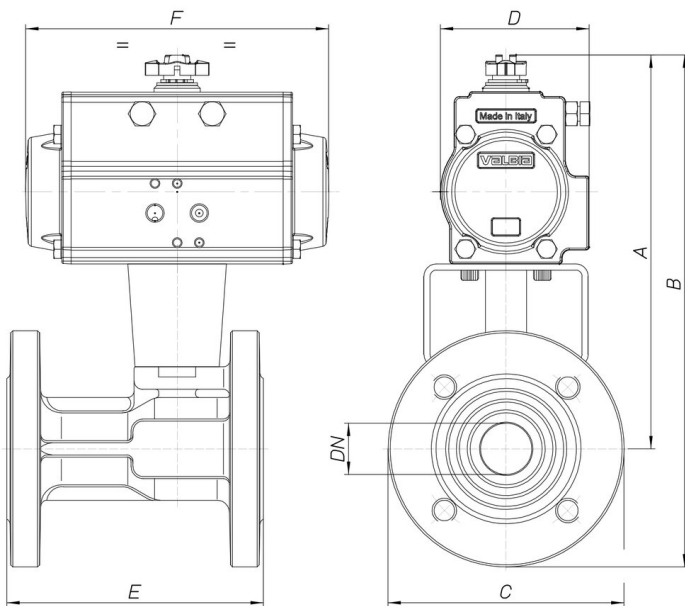


## 8P004600



2 way flanged PN16 ball valve [Valpres artt. 730008 from DN25 to DN65 - 730003 from DN80 to DN200] cast iron, with ball and stem in stainless steel AISI 304, full bore, face to face to EN558 basic series 14 (DN200 basic series 27).

### Especificaciones técnicas



| <b>MOD</b> | <b>PN</b> | <b>A</b> | <b>B</b> | <b>C</b> | <b>D</b> | <b>E</b> | <b>F</b> | <b>ACT.</b> | <b>RI</b> |
|------------|-----------|----------|----------|----------|----------|----------|----------|-------------|-----------|
| 8P00460006 | 16        | 203      | 261      | 115      | 81       | 125      | 164      | SR 63       | 3007      |
| 8P00460007 | 16        | 209      | 279      | 140      | 81       | 130      | 164      | SR 63       | 3007      |
| 8P00460008 | 16        | 259      | 334      | 150      | 106      | 140      | 241      | SR 85       | 3009      |
| 8P00460010 | 16        | 279      | 362      | 165      | 123      | 150      | 275      | SR 100      | 3009      |
| 8P00460012 | 16        | 348      | 441      | 185      | 137      | 170      | 333      | SR 115      | 3010      |
| 8P00460014 | 16        | 371      | 471      | 200      | 148      | 180      | 372      | SR 125      | 3010      |
| 8P00460018 | 16        | 389      | 499      | 220      | 148      | 190      | 372      | SR 125      | 3005      |
| 8P00460019 | 16        | 434      | 559      | 250      | 164      | 200      | 435      | SR 140      | 3037      |
| 8P00460020 | 16        | 481      | 624      | 285      | 186      | 210      | 500      | SR 160      | 3039      |
| 8P00460021 | 16        | 580      | 782      | 340      | 217      | 400      | 579      | SR 200      | 3040      |