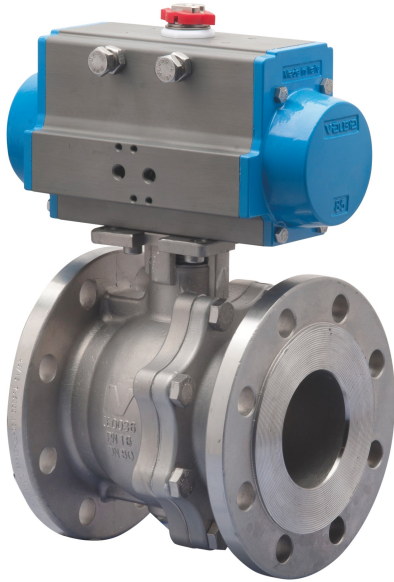
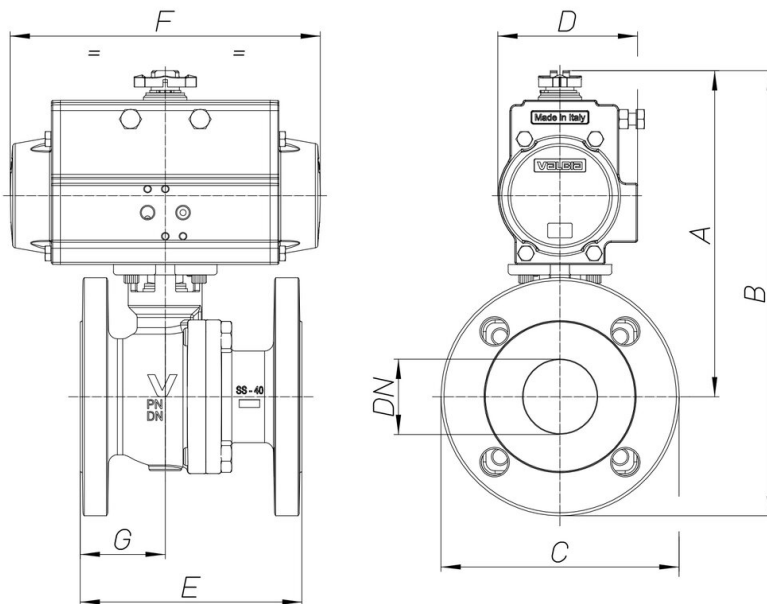


8P050300



Flanged PN16 stainless steel AISI 316 CF8M ball valve, full bore Split Body type [Valpres art. 765000] ISO 5211 pad direct, Fire Safe, Antistatic Device, EN558 basic series 27 face to face dimension.

Especificaciones técnicas



MOD	PN	A	B	C	D	E	F	G	ACT.	KIT
8P05030006	40	171	229	115	81	125	164	53	SR63	RI4580
8P05030007	40	184	254	140	81	130	164	55	SR63	RI4580
8P05030008	40	211	286	150	95	140	210	52	SR75	RI4582
8P05030010	40	235	318	165	106	150	241	58	SR85	RI4583
8P05030012	16	303	396	185	137	170	333	63	SR115	RI4585
8P05030014	16	312	412	200	137	180	333	76	SR115	RI4585
8P05030018	16	339	449	200	148	190	372	80	SR125	RI4587