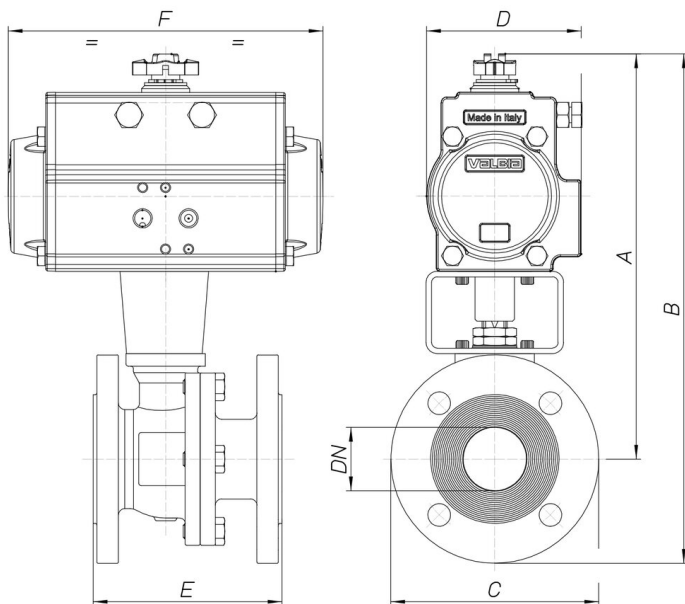


8P024600

Split Body [Valpres art. 760041] full bore flanged PN40 ball valve, carbon steel WCB, Fire Safe, Antistatic Device, face to face EN558 basic series 27, classified ATEX Ex II 2 G/D c T3.

Especificaciones técnicas



MOD	PN	A	B	C	D	E	F	ACT.	RI
8P02460012	40	312	405	185	123	170	275	DA 100	3522
8P02460014	40	346	446	200	123	180	275	DA 100	3552
8P02460018	40	395	513	235	137	190	333	DA 115	3528
8P02460020	40	508	658	300	186	350	500	DA 160	3554
8P02460021	40	585	773	375	213	400	493	DA 180	3555

