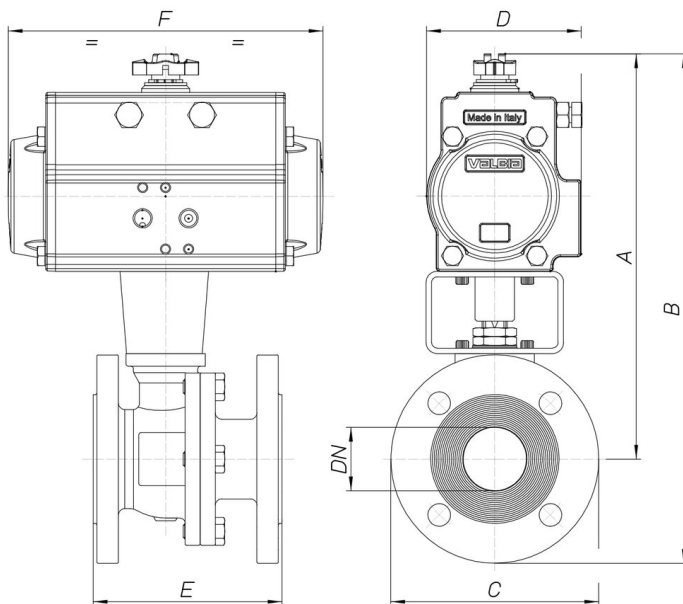


## 8P011900

Split Body [Valpres art. 760001] full bore flanged PN16 ball valve, carbon steel WCB, Fire Safe, Antistatic Device, face to face EN558 basic series 27, classified ATEX Ex II 2 G/D c T3.

### Especificaciones técnicas



<b>MOD</b>	<b>PN</b>	<b>A</b>	<b>B</b>	<b>C</b>	<b>D</b>	<b>E</b>	<b>F</b>	<b>ACT.</b>	<b>RI</b>
8P01190004	40	148	195	95	45	115	110	DA 32	3518
8P01190005	40	189	242	105	71	120	141	DA 52	3519
8P01190006	40	207	265	115	71	125	141	DA52	3520
8P01190007	40	210	280	140	71	130	141	DA52	3520
8P01190008	40	250	325	150	81	140	164	DA63	3521
8P01190010	40	275	357	165	95	150	210	DA75	3522
8P01190012	16	299	392	185	106	170	241	DA85	3522
8P01190014	16	333	433	200	106	180	241	DA85	3523
8P01190018	16	360	470	220	123	190	275	DA100	3552
8P01190019	16	382	507	250	123	325	275	DA100	3552
8P01190020	16	462	604	285	148	350	372	DA125	3553
8P01190021	16	551	721	340	186	400	500	DA160	3554
8P01190077	16	747	950	405	249	450	690	DA230	4577
8P01190078	16	778	1008	460	249	500	690	DA230	4577