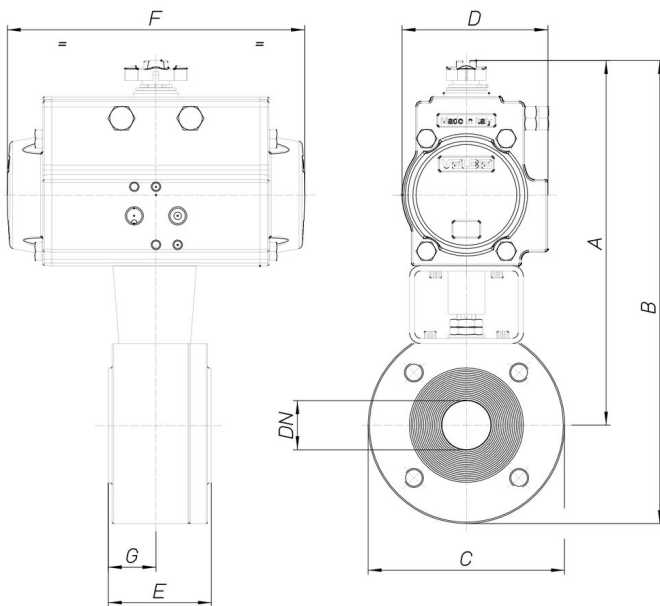


8P012500

Wafer Split full bore PN16 flanged ball valve [Valpres art. 763000] stainless steel AISI 316, Fire Safe, Antistatic Device.



Especificaciones técnicas



MOD	PN	A	B	C	D	E	F	G	ACT.	RI
8P01250004	40	148	193	90	45	53	110	22	DA32	3518
8P01250005	40	190	238	95	71	53	141	22	DA 52	3519
8P01250006	40	199	252	110	71	57	141	24	DA 52	3542
8P01250007	40	205	270	130	71	65	141	30	DA 52	4271
8P01250008	40	235	305	140	81	79	164	37,5	DA 63	3521
8P01250010	40	262	337	150	95	84	210	42	DA 75	4117
8P01250012	16	289	379	180	106	103	241	50,5	DA 85	3545
8P01250014	16	295	390	190	106	122	241	61	DA 85	3546
8P01250018	16	341	451	220	123	155	275	77,5	DA 100	3552