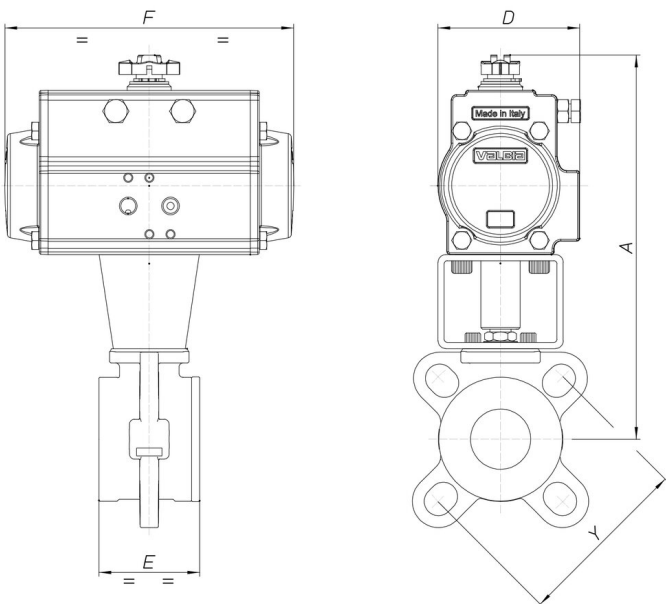




8P023200

Wafer type full bore ball valve [Valpres art. 725000]
CF8M, ANSI 150, PN10-PN16-PN40 (PN40, not
available for DN65-80-100).

Especificaciones técnicas



| MOD | PN | A | D | E | F | Y | ACT. | RI |
|------------|-----------|----------|----------|----------|----------|-------------------------|-------------|-----------|
| 8P02320006 | 40 | 212 | 81 | 46 | 164 | PN10-PN16 PN40 ANSI 150 | SR 63 | 4234 |
| 8P02320007 | 40 | 216 | 81 | 54 | 164 | PN10-PN16 PN40 ANSI 150 | SR 63 | 4234 |
| 8P02320008 | 40 | 263 | 106 | 64 | 241 | PN10-PN16 PN40 ANSI 150 | SR 85 | 4232 |
| 8P02320010 | 40 | 284 | 123 | 82 | 275 | PN10-PN16 PN40 ANSI 150 | SR 100 | 4232 |
| 8P02320012 | 20 | 341 | 137 | 103 | 333 | PN10-PN16 ANSI 150 | SR 115 | 4235 |
| 8P02320014 | 20 | 362 | 148 | 122 | 372 | PN10-PN16 ANSI 150 | SR 125 | 4235 |
| 8P02320018 | 20 | 375 | 148 | 152 | 372 | PN10-PN16 ANSI 150 | SR 125 | 4235 |