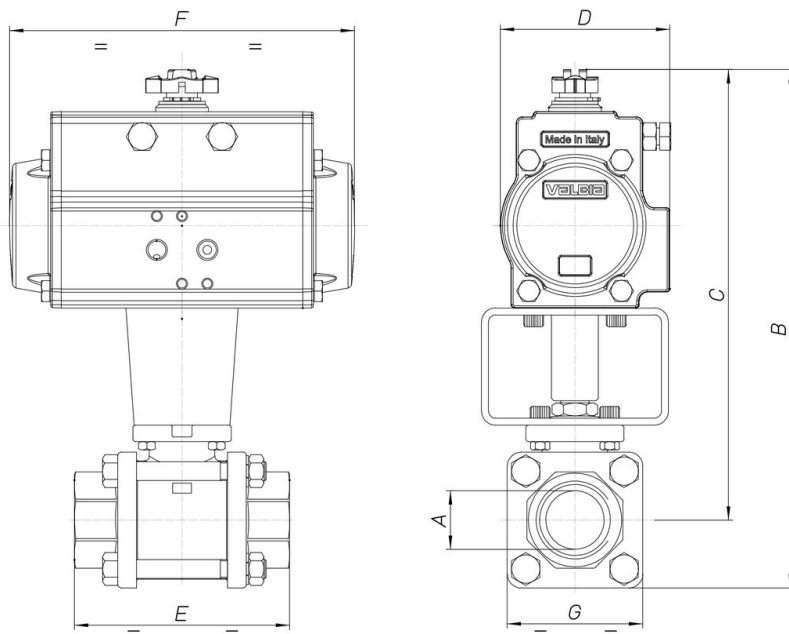


8P001400 SW

Válvula de bola brillante, acero inoxidable AISI 316, rosca H/H, juntas en PTFE, con actuador.



Especificaciones técnicas



MOD	PN	A	B	C	D	E	F	G	ACT.	RI
8P00140002	64	1/4**	164	148	71	57	141	33	SR 52	3021
8P00140003	64	3/8"	164	148	71	57	141	33	SR 52	3021
8P00140004	64	1/2"	171	152	71	65	141	38	SR 52	3790
8P00140005	40	3/4"	224	200	81	76	164	47	SR 63	3783
8P00140006	40	1"	234	205	81	92	164	58	SR 63	3033
8P00140007	25	1"1/4	242	209	81	106	164	67	SR 63	3033
8P00140008	25	1"1/2	299	261	106	116	241	76	SR 85	3034
8P00140010	25	2"	326	281	123	136	275	90	SR 100	3034
8P00140012	16	2"1/2	415	348	137	153	333	134	SR 115	3010
8P00140014	16	3"	452	371	148	180	372	161	SR 125	3010
8P00140018	16	4"	482	387	148	217	372	190	SR 125	3005