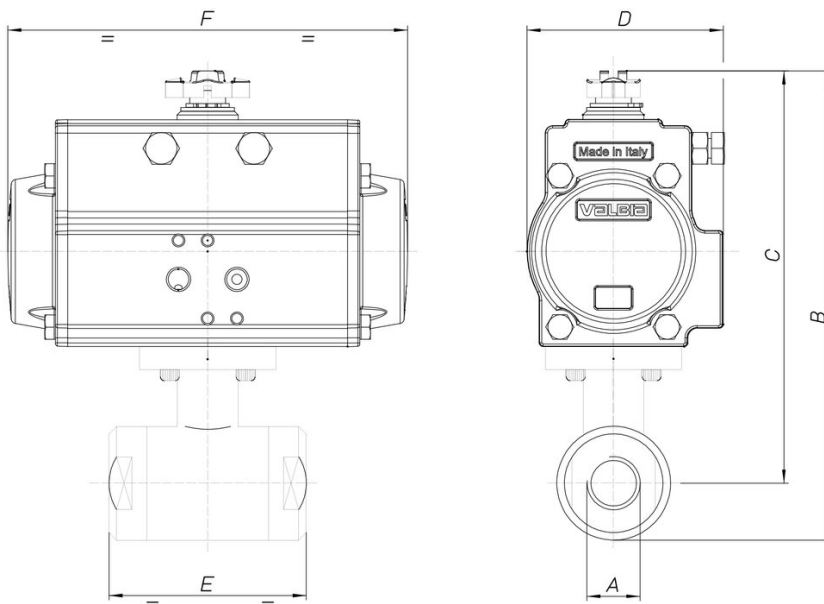


8P026400

Válvula de bola brillante, acero inoxidable AISI 316, rosca H/H, juntas en PTFE, con actuador.



Especificaciones técnicas



MOD	PN	A	B	C	D	E	F	ACT.
8P02640002	64	1/4"	156	141	71	52	141	SR 52
8P02640003	64	3/8"	156	141	71	52	141	SR 52
8P02640004	64	1/2"	161	143	71	62	141	SR 52
8P02640005	64	3/4"	168	147	71	72	141	SR 52
8P02640006	40	1"	223	197	106	82	241	SR 85
8P02640007	40	1"1/4	232	202	106	92	241	SR 85
8P02640008	40	1"1/2	259	222	106	104	241	SR 85
8P02640010	25	2"	275	230	106	116	241	SR 85
8P02640012	25	2"1/2	309	253	123	128	275	SR 100
8P02640014	25	3"	377	311	148	150	372	SR 125
8P02640018	25	4"	407	325	148	178	372	SR 125