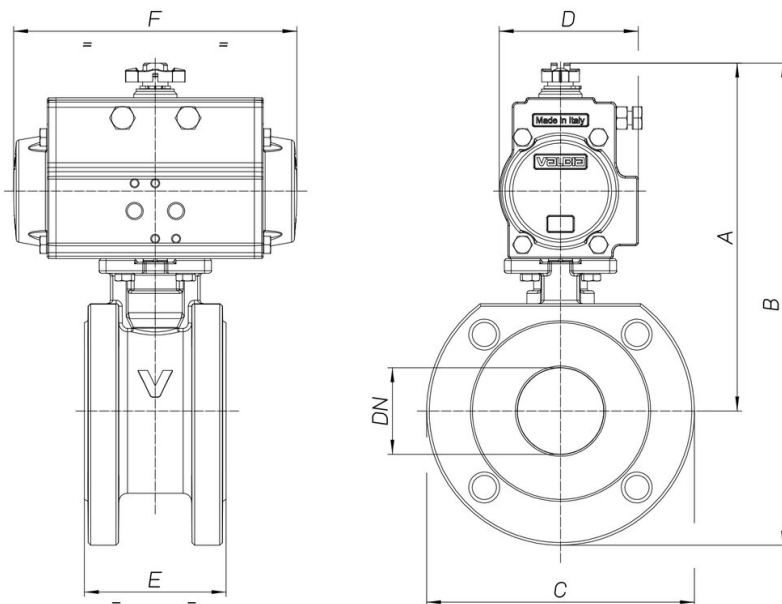


## 8P090700

2 way Wafer ball valve [Valpres art. 724100] flanged  
ANSI 150, carbon steel LCB, full bore, antistatic device,  
ISO 5211 pad direct.



### Especificaciones técnicas



| <b>MOD</b> | <b>PN</b> | <b>A</b> | <b>B</b> | <b>C</b> | <b>D</b> | <b>E</b> | <b>F</b> | <b>ACT.</b> | <b>RI</b> |
|------------|-----------|----------|----------|----------|----------|----------|----------|-------------|-----------|
| 8P09070006 | 20        | 161      | 216      | 110      | 71       | 48       | 141      | DA 52       | 5161      |
| 8P09070007 | 20        | 174      | 239      | 130      | 71       | 54       | 141      | DA 52       | 5161      |
| 8P09070008 | 20        | 182      | 252      | 140      | 71       | 64       | 141      | DA 52       | 5163      |
| 8P09070010 | 20        | 201      | 279      | 155      | 81       | 82       | 164      | DA 63       | 5165      |
| 8P09070012 | 20        | 226      | 316      | 180      | 81       | 103      | 164      | DA 63       | 5259      |
| 8P09070014 | 20        | 251      | 346      | 190      | 95       | 122      | 210      | DA 75       | 5166      |
| 8P09070018 | 20        | 280      | 390      | 220      | 106      | 152      | 241      | DA 85       | 5166      |