

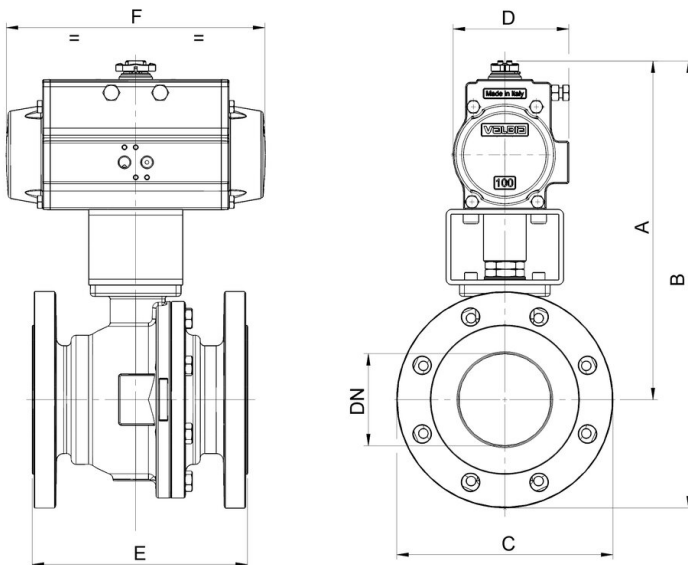


## 8P111400

Split Body [Valpres art. 760V00] full bore flanged PN16 ball valve, stainless steel AISI A351-CF8M, V-Pack stem seal, EN 558 basic series 27 face to face to dimension, Fire Safe, Antistatic Device.

**NEW**

### Especificaciones técnicas



<b>MOD</b>	<b>PN</b>	<b>A</b>	<b>B</b>	<b>ØC</b>	<b>D</b>	<b>E</b>	<b>F</b>	<b>ACT.</b>	<b>RI</b>
8P11140004	40	148	196	95	45	115	110	DA32	3518
8P11140005	40	189	241	105	71	120	141	DA52	3519
8P11140006	40	207	264	115	71	125	141	DA52	3520
8P11140007	40	210	280	140	71	130	141	DA52	3520
8P11140008	40	250	325	150	81	140	164	DA63	3521
8P11140010	40	275	357	165	95	150	210	DA75	3522
8P11140012	16	299	391	185	106	170	241	DA85	3522
8P11140014	16	333	433	200	106	180	241	DA85	3523
8P11140018	16	360	470	220	123	190	275	DA100	3552
8P11140019	16	382	507	250	123	325	275	DA100	3552
8P11140020	16	462	604	285	148	350	372	DA125	3553
8P11140021	16	551	721	340	186	400	500	DA160	3554