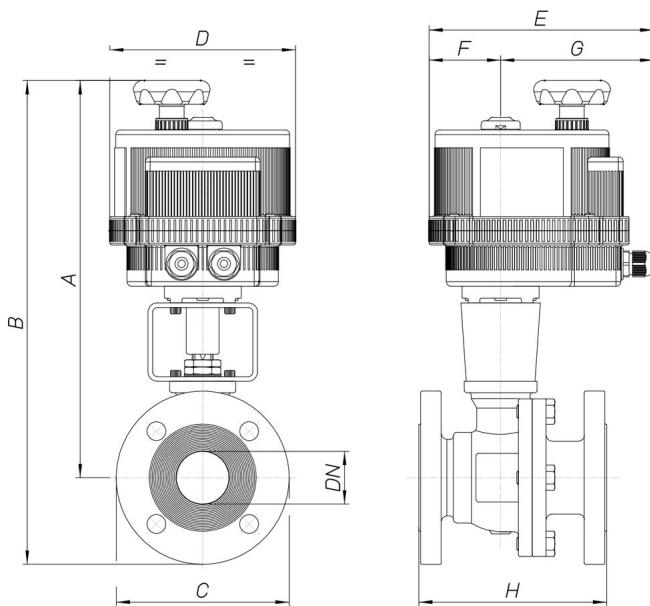


## 8E053



Split Body [Valpres art. 760000] full bore flanged PN16 ball valve, stainless steel AISI 316 CF8M, Fire Safe, Antistatic Device, face to face EN558 basic series 27, classified ATEX Ex II 2 G/D c T3, with electric actuator series 85.

### Especificaciones técnicas



| MOD        | PN | A   | B   | C   | D   | E   | F  | G   | H   | ACT.   | RI   |
|------------|----|-----|-----|-----|-----|-----|----|-----|-----|--------|------|
| 8E05300104 | 40 | 225 | 272 | 95  | 123 | 164 | 43 | 121 | 115 | VB 015 | 3519 |
| 8E05300204 | 40 | 225 | 272 | 95  | 123 | 164 | 43 | 121 | 115 | VB 015 | 3519 |
| 8E05300404 | 40 | 225 | 272 | 95  | 123 | 164 | 43 | 121 | 115 | VB 015 | 3519 |
| 8E05300105 | 40 | 229 | 282 | 105 | 123 | 164 | 43 | 121 | 120 | VB 015 | 3519 |
| 8E05300205 | 40 | 229 | 282 | 105 | 123 | 164 | 43 | 121 | 120 | VB 015 | 3519 |
| 8E05300405 | 40 | 229 | 282 | 105 | 123 | 164 | 43 | 121 | 120 | VB 015 | 3519 |
| 8E05300106 | 40 | 294 | 351 | 115 | 157 | 191 | 61 | 130 | 125 | VB 030 | 3520 |
| 8E05300206 | 40 | 294 | 351 | 115 | 157 | 191 | 61 | 130 | 125 | VB 030 | 3520 |
| 8E05300406 | 40 | 294 | 351 | 115 | 157 | 191 | 61 | 130 | 125 | VB 030 | 3520 |
| 8E05300107 | 40 | 324 | 394 | 140 | 185 | 215 | 68 | 147 | 130 | VB 060 | 3525 |
| 8E05300207 | 40 | 324 | 394 | 140 | 185 | 215 | 68 | 147 | 130 | VB 060 | 3525 |
| 8E05300407 | 40 | 324 | 394 | 140 | 185 | 215 | 68 | 147 | 130 | VB 060 | 3525 |
| 8E05300108 | 40 | 351 | 426 | 150 | 185 | 215 | 68 | 147 | 140 | VB 060 | 3521 |
| 8E05300208 | 40 | 351 | 426 | 150 | 185 | 215 | 68 | 147 | 140 | VB 060 | 3521 |
| 8E05300408 | 40 | 351 | 426 | 150 | 185 | 215 | 68 | 147 | 140 | VB 060 | 3521 |
| 8E05300110 | 40 | 359 | 441 | 165 | 185 | 215 | 68 | 147 | 150 | VB 060 | 4039 |
| 8E05300210 | 40 | 359 | 441 | 165 | 185 | 215 | 68 | 147 | 150 | VB 060 | 4039 |
| 8E05300410 | 40 | 359 | 441 | 165 | 185 | 215 | 68 | 147 | 150 | VB 060 | 4039 |
| 8E05300112 | 16 | 386 | 478 | 185 | 211 | 237 | 84 | 153 | 170 | VB 110 | 3522 |
| 8E05300212 | 16 | 386 | 478 | 185 | 211 | 237 | 84 | 153 | 170 | VB 110 | 3522 |
| 8E05300412 | 16 | 386 | 478 | 185 | 211 | 237 | 84 | 153 | 170 | VB 110 | 3522 |
| 8E05300114 | 16 | 420 | 520 | 200 | 211 | 237 | 84 | 153 | 180 | VB 110 | 3523 |
| 8E05300214 | 16 | 420 | 520 | 200 | 211 | 237 | 84 | 153 | 180 | VB 110 | 3523 |
| 8E05300414 | 16 | 420 | 520 | 200 | 211 | 237 | 84 | 153 | 180 | VB 110 | 3523 |
| 8E05300118 | 16 | 435 | 544 | 220 | 211 | 237 | 84 | 153 | 190 | VB 190 | 3552 |
| 8E05300218 | 16 | 435 | 544 | 220 | 211 | 237 | 84 | 153 | 190 | VB 190 | 3552 |
| 8E05300418 | 16 | 435 | 544 | 220 | 211 | 237 | 84 | 153 | 190 | VB 190 | 3552 |
| 8E05300119 | 16 | 458 | 583 | 250 | 222 | 247 | 77 | 170 | 325 | VB 270 | 3528 |
| 8E05300219 | 16 | 458 | 583 | 250 | 222 | 247 | 77 | 170 | 325 | VB 270 | 3528 |
| 8E05300419 | 16 | 458 | 583 | 250 | 222 | 247 | 77 | 170 | 325 | VB 270 | 3528 |
| 8E05300120 | 16 | 491 | 634 | 285 | 222 | 247 | 77 | 170 | 350 | VB 350 | 3553 |
| 8E05300220 | 16 | 491 | 634 | 285 | 222 | 247 | 77 | 170 | 350 | VB 350 | 3553 |
| 8E05300420 | 16 | 491 | 634 | 285 | 222 | 247 | 77 | 170 | 350 | VB 350 | 3553 |