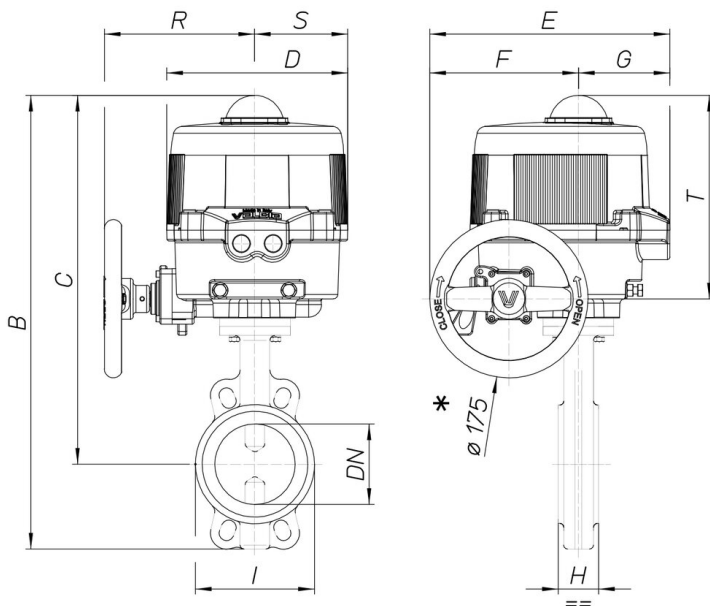




## 8M034

Butterfly valve Wafer type PN16 (from DN50 to DN300), PN10 (from DN350 to DN600), body in cast iron GG25+epoxy painting, disc GGG40 nicked, EPDM [Valpres art. 600104] or NBR [Valpres art. 600117] seat from DN50 to DN300, EPDM seat art. 905276 from DN350 to DN600.

### Especificaciones técnicas



| MOD        | PN | B   | C   | D   | E   | F   | G   | H  | I   | R   | S   | T   | ACT.   | KIT    |
|------------|----|-----|-----|-----|-----|-----|-----|----|-----|-----|-----|-----|--------|--------|
| 8M03400110 | 16 | 424 | 352 | 161 | 187 | 63  | 124 | 43 | 100 | -   | -   | -   | VB030M | RI3836 |
| 8M03400210 | 16 | 424 | 352 | 161 | 187 | 63  | 124 | 43 | 100 | -   | -   | -   | VB030M | RI3836 |
| 8M03400410 | 16 | 424 | 352 | 161 | 187 | 63  | 124 | 43 | 100 | -   | -   | -   | VB030M | RI3836 |
| 8M03400112 | 16 | 443 | 365 | 161 | 187 | 63  | 124 | 46 | 120 | -   | -   | -   | VB030M | RI3836 |
| 8M03400212 | 16 | 443 | 365 | 161 | 187 | 63  | 124 | 46 | 120 | -   | -   | -   | VB030M | RI3836 |
| 8M03400412 | 16 | 443 | 365 | 161 | 187 | 63  | 124 | 46 | 120 | -   | -   | -   | VB030M | RI3836 |
| 8M03400114 | 16 | 477 | 387 | 176 | 197 | 63  | 134 | 46 | 127 | -   | -   | -   | VB060M | RI3883 |
| 8M03400214 | 16 | 477 | 387 | 176 | 197 | 63  | 134 | 46 | 127 | -   | -   | -   | VB060M | RI3883 |
| 8M03400414 | 16 | 477 | 387 | 176 | 197 | 63  | 134 | 46 | 127 | -   | -   | -   | VB060M | RI3883 |
| 8M03400118 | 16 | 505 | 403 | 176 | 197 | 63  | 134 | 52 | 161 | -   | -   | -   | VB060M | RI3884 |
| 8M03400218 | 16 | 505 | 403 | 176 | 197 | 63  | 134 | 52 | 161 | -   | -   | -   | VB060M | RI3884 |
| 8M03400418 | 16 | 505 | 403 | 176 | 197 | 63  | 134 | 52 | 161 | -   | -   | -   | VB060M | RI3884 |
| 8M03400119 | 16 | 565 | 442 | 200 | 266 | 165 | 101 | 56 | 190 | 167 | 103 | 225 | VB110M | RI3840 |
| 8M03400219 | 16 | 565 | 442 | 200 | 266 | 165 | 101 | 56 | 190 | 167 | 103 | 225 | VB110M | RI3840 |
| 8M03400419 | 16 | 565 | 442 | 200 | 266 | 165 | 101 | 56 | 190 | 167 | 103 | 225 | VB110M | RI3840 |
| 8M03400120 | 16 | 593 | 455 | 200 | 266 | 165 | 101 | 56 | 512 | 167 | 103 | 225 | VB190M | RI3847 |
| 8M03400220 | 16 | 593 | 455 | 200 | 266 | 165 | 101 | 56 | 512 | 167 | 103 | 225 | VB190M | RI3847 |
| 8M03400420 | 16 | 593 | 455 | 200 | 266 | 165 | 101 | 56 | 512 | 167 | 103 | 225 | VB190M | RI3847 |
| 8M03400121 | 16 | 658 | 490 | 212 | 279 | 184 | 95  | 60 | 568 | 166 | 109 | 226 | VB270M | RI3965 |
| 8M03400221 | 16 | 658 | 490 | 212 | 279 | 184 | 95  | 60 | 568 | 166 | 109 | 226 | VB270M | RI3965 |
| 8M03400421 | 16 | 658 | 490 | 212 | 279 | 184 | 95  | 60 | 568 | 166 | 109 | 226 | VB270M | RI3965 |
| 8M03400177 | 16 | 733 | 526 | 212 | 279 | 184 | 95  | 68 | 325 | 166 | 109 | 226 | VB350M | RI3865 |
| 8M03400277 | 16 | 733 | 526 | 212 | 279 | 184 | 95  | 68 | 325 | 166 | 109 | 226 | VB350M | RI3865 |
| 8M03400477 | 16 | 733 | 526 | 212 | 279 | 184 | 95  | 68 | 325 | 166 | 109 | 226 | VB350M | RI3865 |