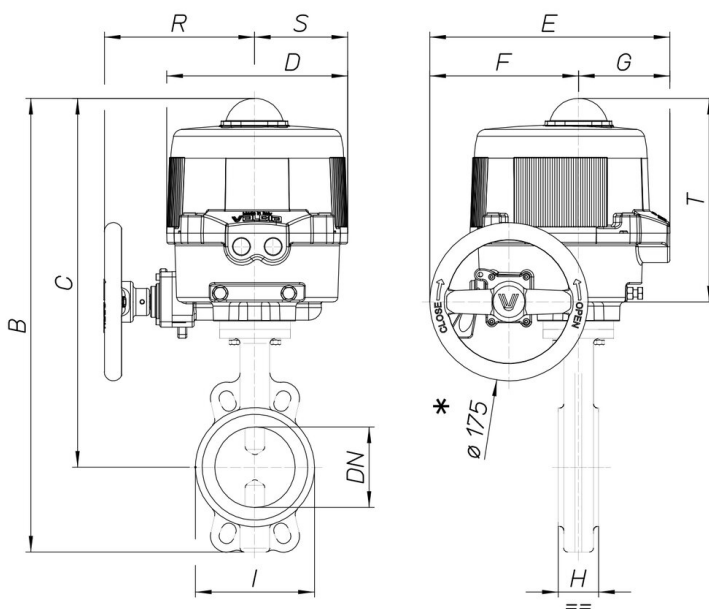




## 8M101

Butterfly valve Wafer type PN16, (from DN32 to DN300) PN10 (from DN350 to DN600) body in cast iron GG25+epoxy painting, disc AISI 316, EPDM [Valpres art. 600105] or NBR [Valpres art. 600119] seat from DN32 to DN300, EPDM seat art. 905257 from DN350 to DN600.

### Especificaciones técnicas



MOD	PN	B	C	D	E	F	G	H	I	R	S	T	ACT.	KIT
8M10100110	16	424	352	161	187	63	124	43	100	-	-	-	VB030M	RI3836
8M10100210	16	424	352	161	187	63	124	43	100	-	-	-	VB030M	RI3836
8M10100410	16	424	352	161	187	63	124	43	100	-	-	-	VB030M	RI3836
8M10100112	16	443	365	161	187	63	124	46	120	-	-	-	VB030M	RI3836
8M10100212	16	443	365	161	187	63	124	46	120	-	-	-	VB030M	RI3836
8M10100412	16	443	365	161	187	63	124	46	120	-	-	-	VB030M	RI3836
8M10100114	16	477	387	176	197	63	134	46	127	-	-	-	VB060M	RI3883
8M10100214	16	477	387	176	197	63	134	46	127	-	-	-	VB060M	RI3883
8M10100414	16	477	387	176	197	63	134	46	127	-	-	-	VB060M	RI3883
8M10100118	16	505	403	176	197	63	134	52	161	-	-	-	VB060M	RI3884
8M10100218	16	505	403	176	197	63	134	52	161	-	-	-	VB060M	RI3884
8M10100418	16	505	403	176	197	63	134	52	161	-	-	-	VB060M	RI3884
8M10100119	16	565	442	200	266	165	101	56	190	167	103	225	VB110M	RI3840
8M10100219	16	565	442	200	266	165	101	56	190	167	103	225	VB110M	RI3840
8M10100419	16	565	442	200	266	165	101	56	190	167	103	225	VB110M	RI3840
8M10100120	16	593	455	200	266	165	101	56	215	167	103	225	VB190M	RI3847
8M10100220	16	593	455	200	266	165	101	56	215	167	103	225	VB190M	RI3847
8M10100420	16	593	455	200	266	165	101	56	215	167	103	225	VB190M	RI3847
8M10100121	16	685	490	212	279	184	95	60	268	166	109	226	VB270M	RI3965
8M10100221	16	685	490	212	279	184	95	60	268	166	109	226	VB270M	RI3965
8M10100421	16	685	490	212	279	184	95	60	268	166	109	226	VB270M	RI3965
8M10100177	16	733	526	212	279	184	95	68	325	166	109	226	VB350M	RI3865
8M10100277	16	733	526	212	279	184	95	68	325	166	109	226	VB350M	RI3865
8M10100477	16	733	526	212	279	184	95	68	325	166	109	226	VB350M	RI3865