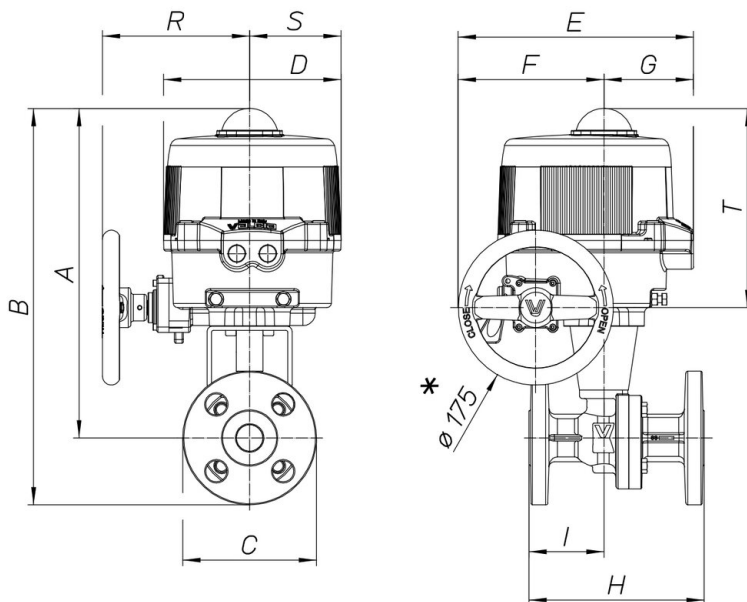


## 8M111



Split Body type flanged ANSI 300 ball valve [Valpres art. 761030] stainless steel AISI 316 CF8M, full bore, Fire Safe, Antistatic Device, face to face to ANSI B16.10, classified ATEX Ex II 2 G/D c T3.

### Especificaciones técnicas



MOD	PN	A	B	C	D	E	F	G	H	I	R	S	T	ACT.	KIT
8M11100104	50	282	330	95	161	187	63	124	140	62	-	-	-	VB030M	RI3519
8M11100204	50	282	330	95	161	187	63	124	140	62	-	-	-	VB030M	RI3519
8M11100404	50	282	330	95	161	187	63	124	140	62	-	-	-	VB030M	RI3519
8M11100105	50	287	345	1155	161	187	63	124	152	61	-	-	-	VB030M	RI3519
8M11100205	50	287	345	1155	161	187	63	124	152	61	-	-	-	VB030M	RI3519
8M11100405	50	287	345	1155	161	187	63	124	152	61	-	-	-	VB030M	RI3519
8M11100106	50	304	367	125	161	187	63	124	165	71	-	-	-	VB030M	RI4116
8M11100206	50	304	367	125	161	187	63	124	165	71	-	-	-	VB030M	RI4116
8M11100406	50	304	367	125	161	187	63	124	165	71	-	-	-	VB030M	RI4116
8M11100108	50	356	434	155	176	197	63	134	190	79	-	-	-	VB060M	RI3521
8M11100208	50	356	434	155	176	197	63	134	190	79	-	-	-	VB060M	RI3521
8M11100408	50	356	434	155	176	197	63	134	190	79	-	-	-	VB060M	RI3521
8M11100110	50	364	446	165	176	197	63	134	216	86	-	-	-	VB060M	RI4039
8M11100210	50	364	446	165	176	197	63	134	216	86	-	-	-	VB060M	RI4039
8M11100410	50	364	446	165	176	197	63	134	216	86	-	-	-	VB060M	RI4039
8M11100114	50	435	540	210	200	266	165	101	283	81	167	103	225	VB190M	RI3552
8M11100214	50	435	540	210	200	266	165	101	283	81	167	103	225	VB190M	RI3552
8M11100414	50	435	540	210	200	266	165	101	283	81	167	103	225	VB190M	RI3552
8M11100118	50	450	577	255	212	279	184	95	305	89	166	109	226	VB270M	RI3565
8M11100218	50	450	577	255	212	279	184	95	305	89	166	109	226	VB270M	RI3565
8M11100418	50	450	577	255	212	279	184	95	305	89	166	109	226	VB270M	RI3565