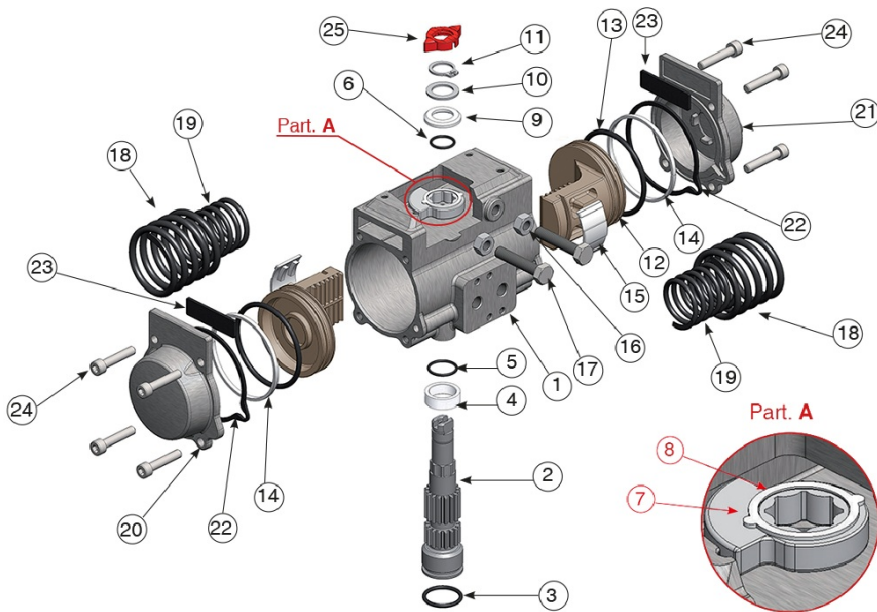
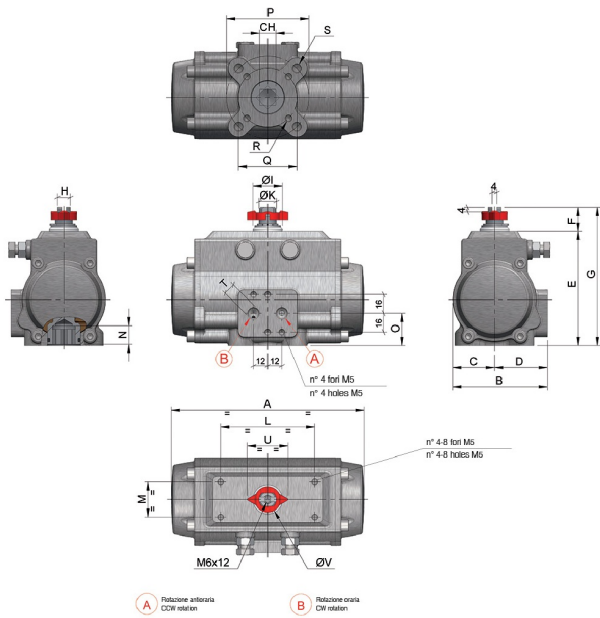




MOD. 100

Spécifications techniques





| POSITION | NOM DE LA PIÈCE | MATÉRIEL | TREATMENT | N.° PIÈCES |
|----------|-------------------------|---|------------------------------|--------------------|
| 1 | Body | Stainless steel | - | 1 |
| 2 | Anti-blowout pinion | Stainless steel | - | 1 |
| • 3 | O-ring | NBR/SILICONE/FKM | - | 1 |
| • 4 | Spacer ring | POM-AMODEL-STANYL | - | 1 |
| • 5 | O-ring | NBR/SILICONE/FKM | - | 1 |
| • 6 | O-ring | NBR/SILICONE/FKM | - | 1 |
| 7 | Cam | Stainless steel | - | 1 |
| 8 | Spacer | POM-MINLON | - | 1 |
| • 9 | Spacer | POM-MINLON | - | 1 |
| 10 | Washer | Stainless steel | - | 1 |
| 11 | Snap ring | Stainless steel | - | 1 |
| 12 | Piston | Die cast aluminium | Hard anodized | 2 |
| • 13 | O-ring | NBR/SILICONE/FKM | - | 2 |
| • 14 | Antifriction ring | POM-AMODEL-STANYL-PTFE | - | 2 |
| • 15 | Thrust block | POM-AMODEL-STANYL | - | 2 |
| 16 | Stop bolt retaining nut | Stainless steel | - | 2 |
| 17 | Stop bolt | Stainless steel | - | 2 |
| 18 | External spring | Acciaio-steel | Powder coating (bonderizing) | See spring setting |
| 19 | Internal spring | Acciaio-Steel | Powder coating (bonderizing) | See spring setting |
| 20 | Left end cap | Stainless steel | - | 1 |
| 21 | Right end cap | Stainless steel | - | 1 |
| 22 | End cap seats | NBR/SANTOPRENE/SILICONE/FKM/ME0020-70 | - | 2 |
| 23 | End cap seats | NBR/SANTOPRENE/SILICONE/FKM/ME0020-70 | - | 2 |
| 24 | End cap fixing screw | Stainless steel | - | 8 |
| 25 | Position indicator | Gomma termoplastica TPEThermoplastic rubber TPE | - | 1 |

• Parts subject to wear

| MOD | FORATURA DRILLING ISO 5211 | CH | A | B | C | D | E | F | G | H | Ø I | Ø K | L | M | N | O | P | Q | R | S | T ISO 7/1 | U | Ø V |
|----------|----------------------------|----|-----|-----|----|----|-------|----|-------|----|-----|-----|----|----|------|------|-----|----|------|--------|-----------|----|-----|
| MOD. 100 | F07-F10 | 17 | 275 | 123 | 55 | 68 | 143,8 | 20 | 163,8 | 15 | 35 | 22 | 80 | 30 | 20,5 | 52,5 | 102 | 70 | M8X9 | M10X14 | 1/4" | 42 | 29 |

Applications



FOOD & BEVERAGE



HVAC



PULP & PAPER



PAINTS & SOLVENTS



WATER TREATMENT



CHEMICAL



OEM



OIL & GAS

