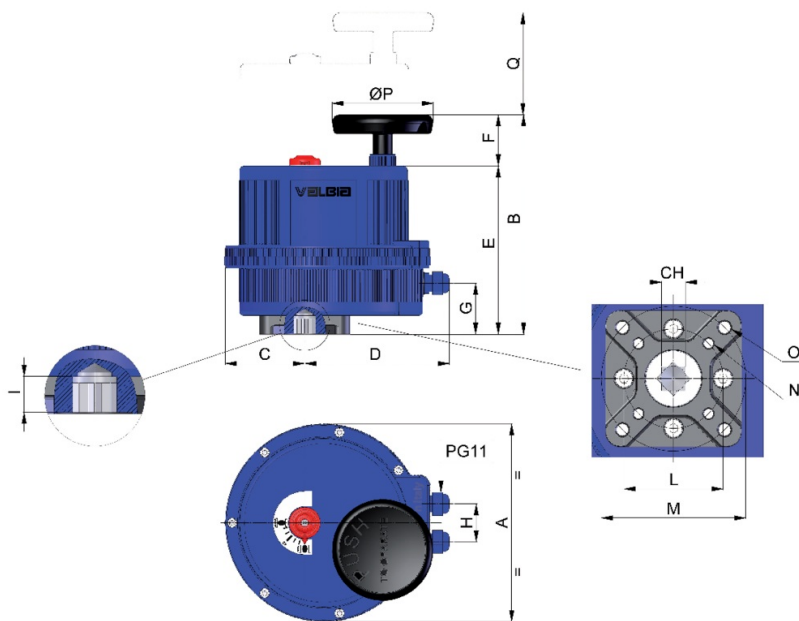


MOD. VB110



Spécifications techniques



MOD	FORATURA DRILLING ISO 5211	CH	A	B	C	D	E	F	G	H	I	L	M	N	O	ØP	Q
MOD. VB110	F07-F10	17	211	232,1	84	153	178	54,1	54	40	19	70	102	M8X20	M10X20	110	115

Applications



FOOD &
BEVERAGE



HVAC



PAINTS &
SOLVENTS



WATER
TREATMENT



CHEMICAL



OEM



POWER &
RENEWABLE
ENERGY