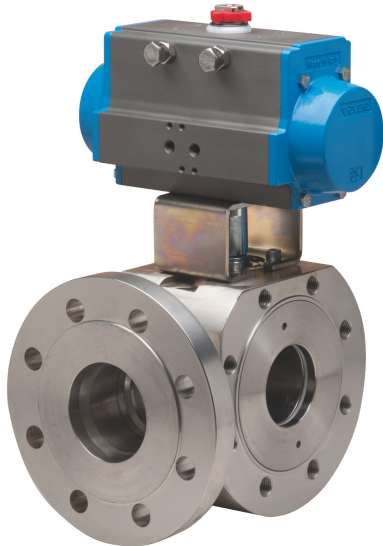
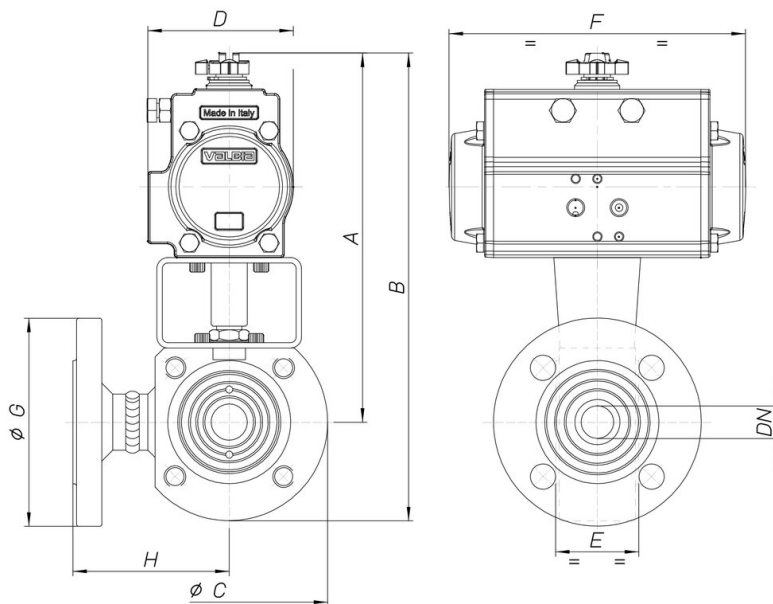


8P011600



3 voies vanne b.s. "WAFER" (déviatrice), [Valpres Artt. 776007 (L) - 776010 (T)], "L" ou "T", 2 sièges, à brides, passage REDUIT, avec actionneur.

Spécifications techniques



| MOD | PN | A | B | Ø C | D | E | F | Ø G | H | ACT. | RI |
|------------|-----------|----------|----------|------------|----------|----------|----------|------------|----------|-------------|-----------|
| 8P01160004 | 16 | 183 | 228 | 89 | 71 | 40 | 141 | 95 | 76 | SR 52 | 3780 |
| 8P01160005 | 16 | 199 | 249 | 99 | 81 | 40 | 164 | 105 | 82 | SR 63 | 3014 |
| 8P01160006 | 16 | 204 | 259 | 109 | 81 | 46 | 164 | 115 | 86 | SR 63 | 3007 |
| 8P01160007 | 16 | 212 | 277 | 130 | 81 | 58 | 164 | 140 | 105 | SR 63 | 3048 |
| 8P01160008 | 16 | 259 | 329 | 140 | 106 | 71 | 241 | 150 | 110 | SR 85 | 3009 |
| 8P01160010 | 16 | 278 | 358 | 160 | 123 | 82 | 275 | 165 | 120 | SR 100 | 3009 |
| 8P01160012 | 16 | 349 | 439 | 180 | 137 | 106 | 333 | 185 | 125 | SR 115 | 3010 |
| 8P01160014 | 16 | 370 | 470 | 200 | 148 | 122 | 372 | 200 | 150 | SR 125 | 3010 |
| 8P01160018 | 16 | 387 | 497 | 220 | 148 | 152 | 372 | 220 | 159 | SR 125 | 3005 |