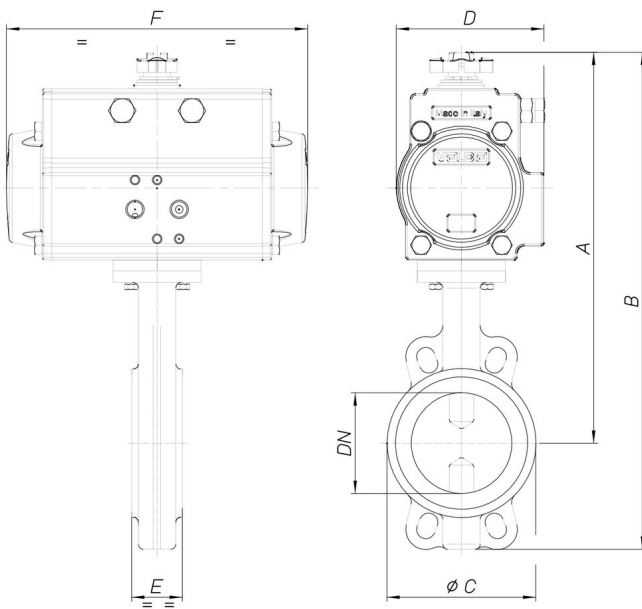


8P020500

Butterfly valve Wafer type PN16, G250 cast iron+epoxy painting, AISI 316 disc, VITON seat max operating temperature 150°C.



Spécifications techniques



MOD	PN	A	B	Ø C	D	E	F	ACT.	RI
8P02050010	16	255	326	100	71	43	141	DA 52	3836
8P02050012	16	267	345	120	71	46	141	DA 52	3836
8P02050014	16	281	370	127	81	46	164	DA 63	3838
8P02050018	16	315	417	161	95	52	210	DA 75	3839
8P02050019	16	341	464	190	106	56	241	DA 85	3840
8P02050020	16	355	493	215	106	56	241	DA 85	3841
8P02050021	16	434	602	268	137	60	333	DA 115	3965
8P02050077	16	482	689	325	148	68	372	DA 125	3865
8P02050078	16	541	784	375	164	78	435	DA 140	3868